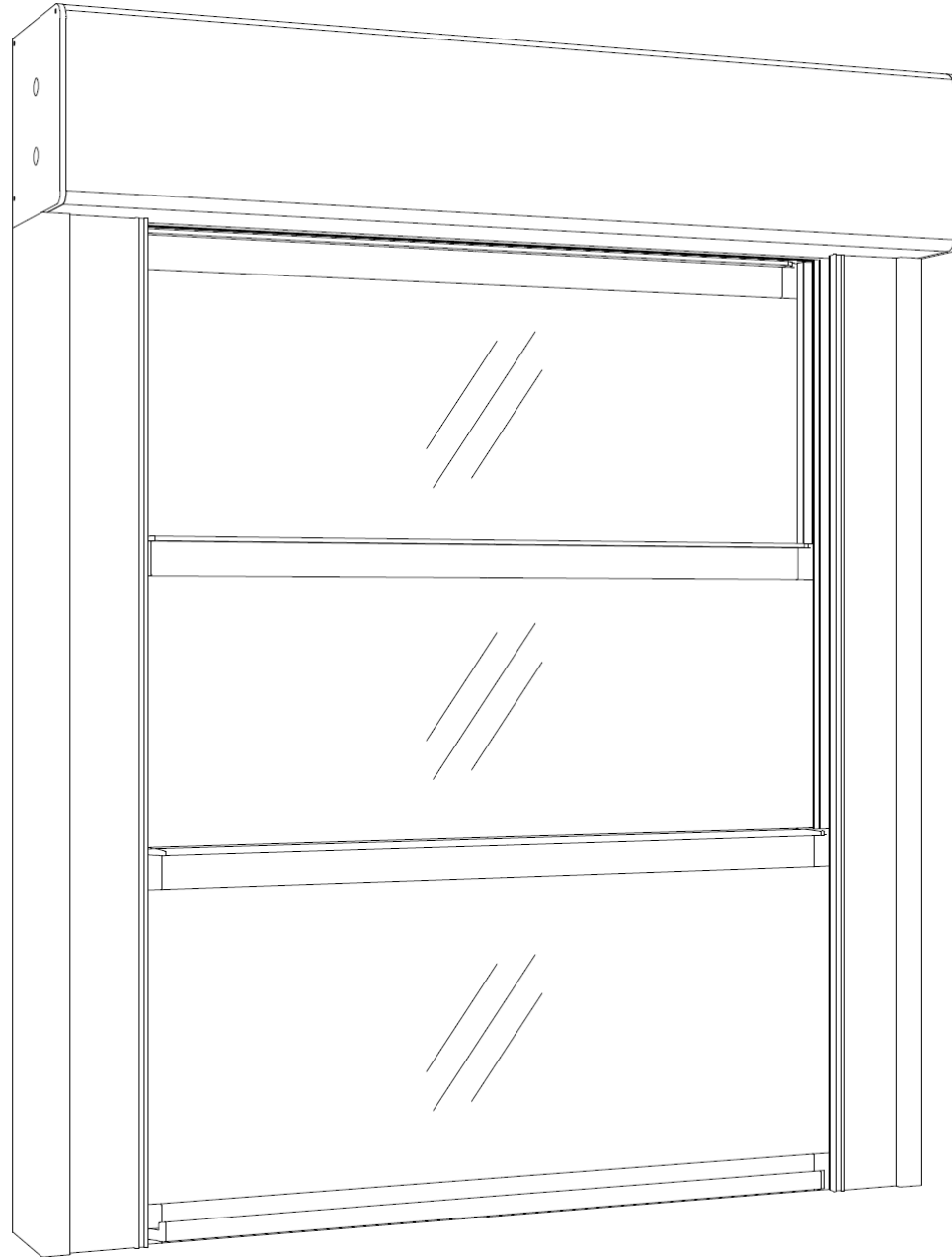




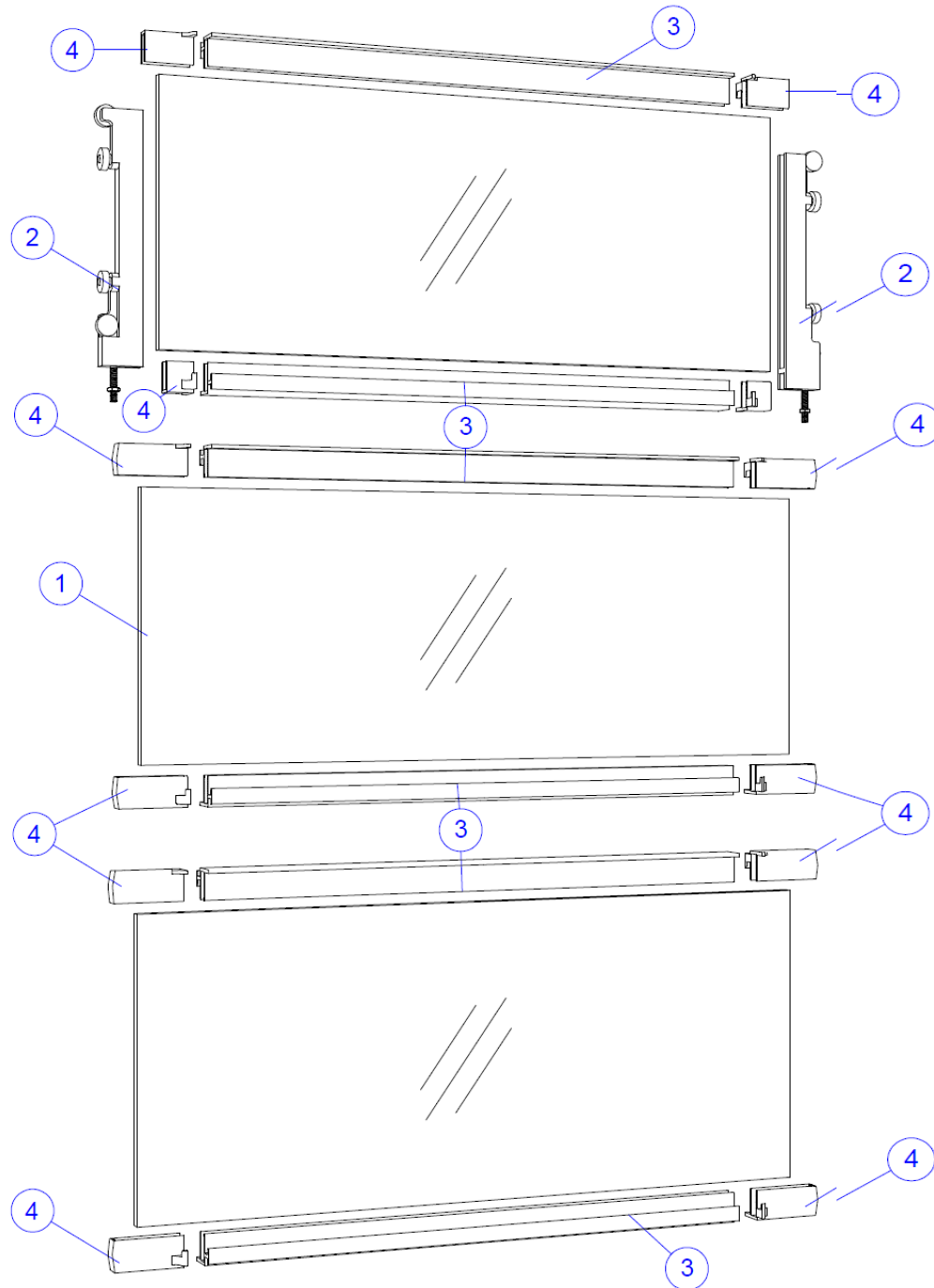
ICON-41 / ICON-42

# ICCONIUM GUILLOTINE SYSTEM INSTALLATION GUIDE

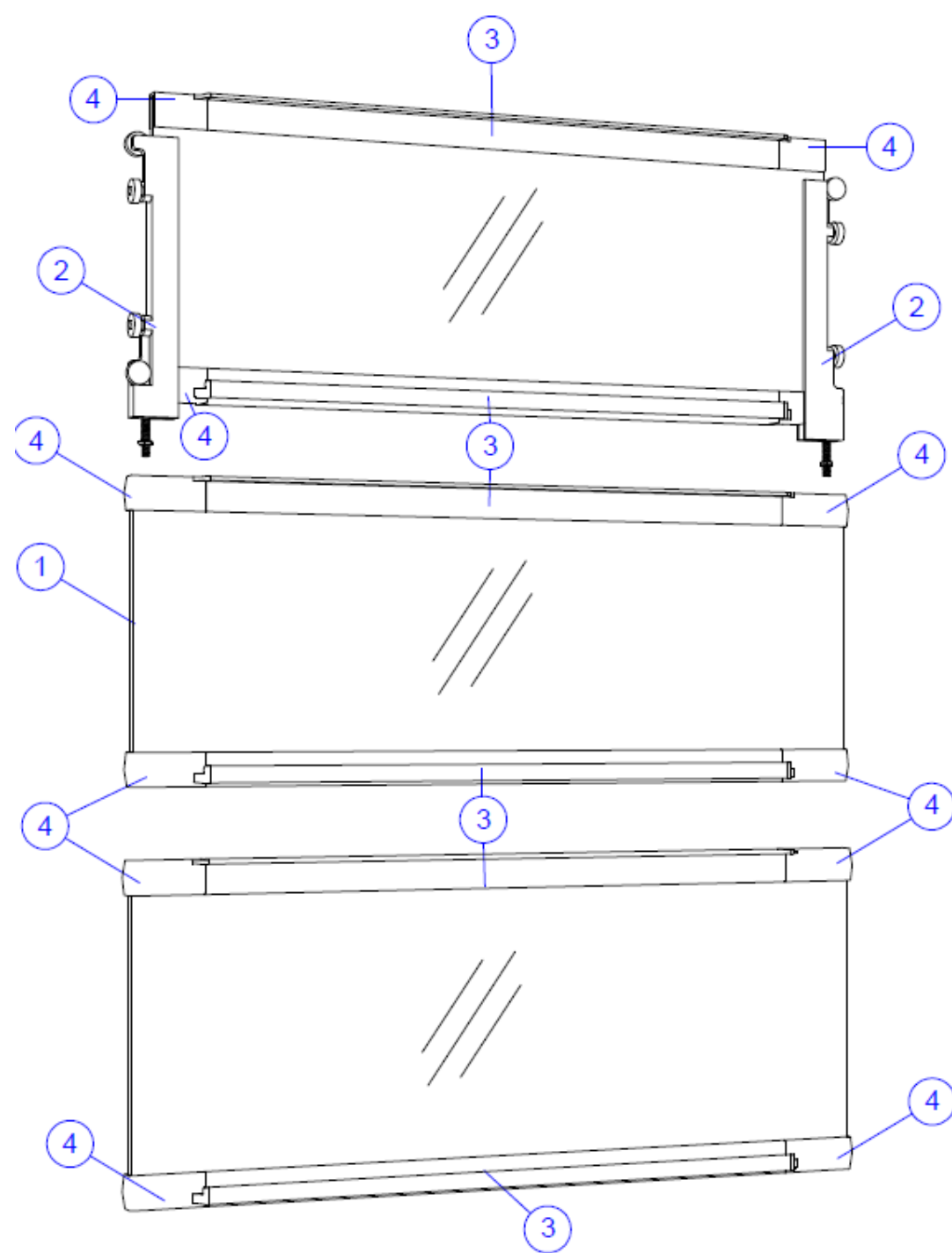
1- System General View



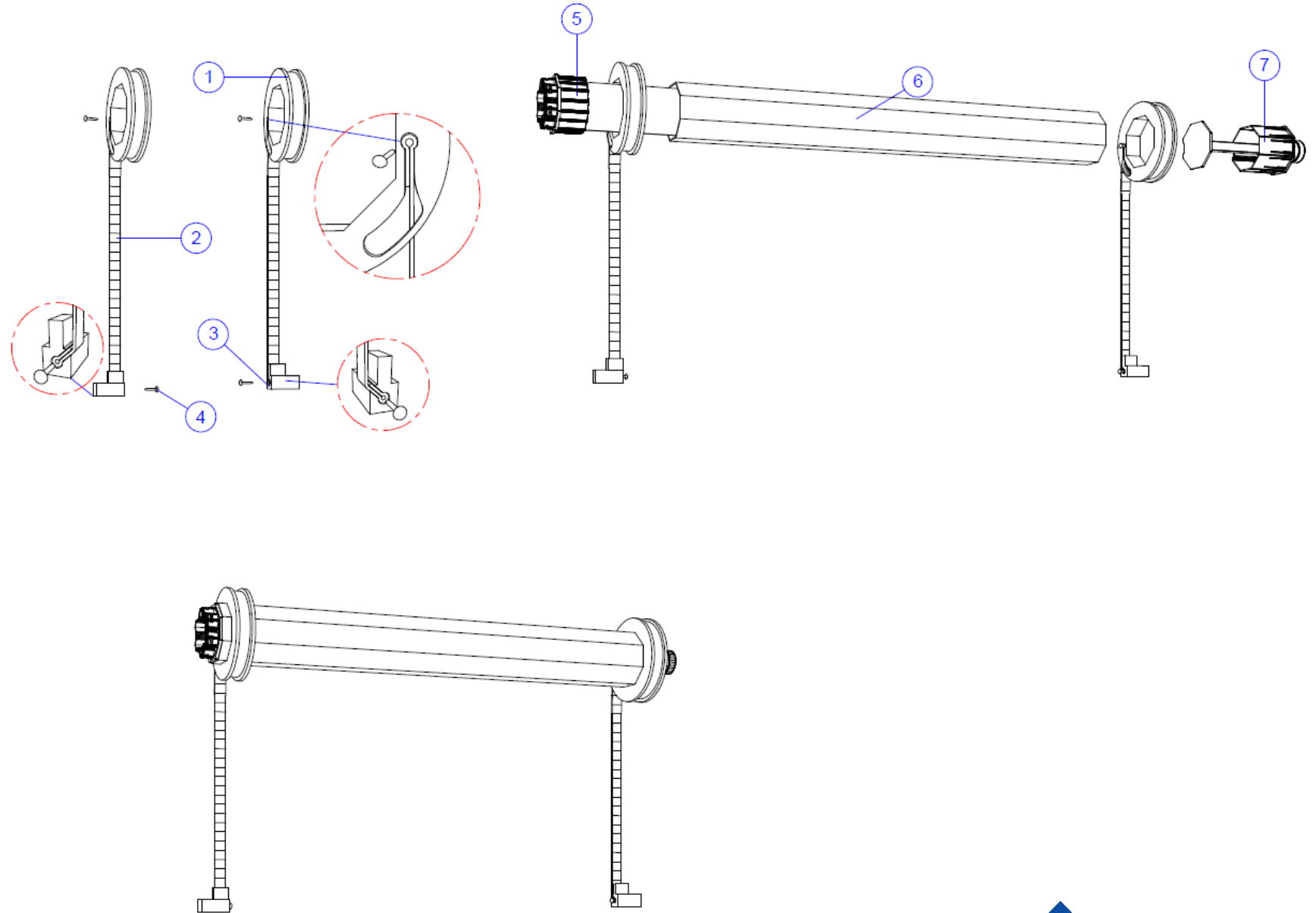
2-Panel; Profile &  
Accessories Combination



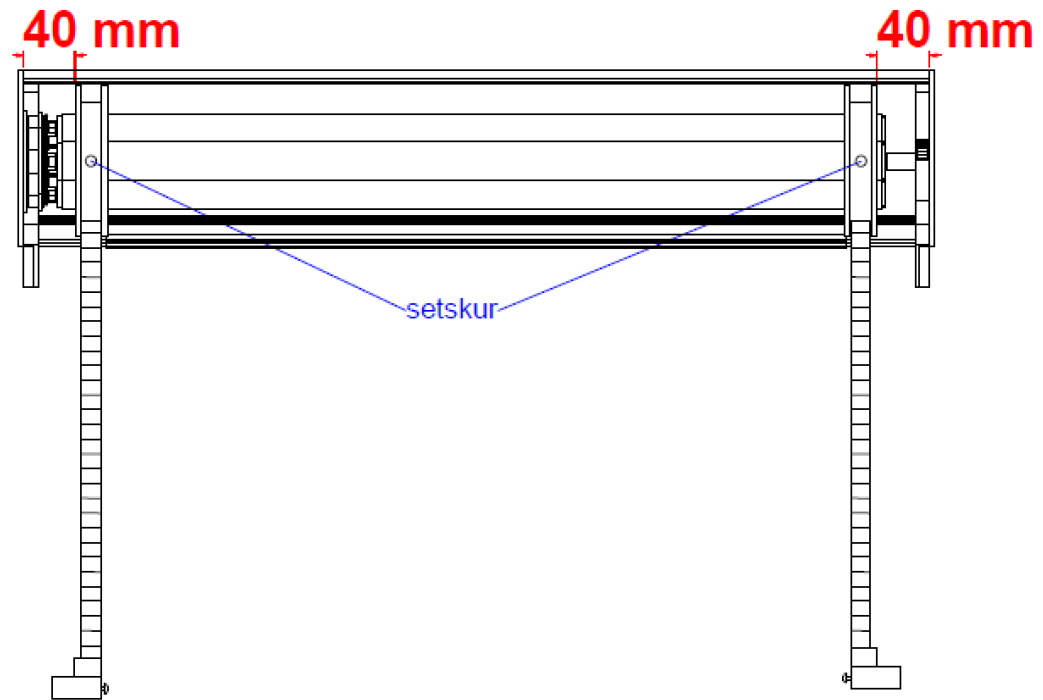
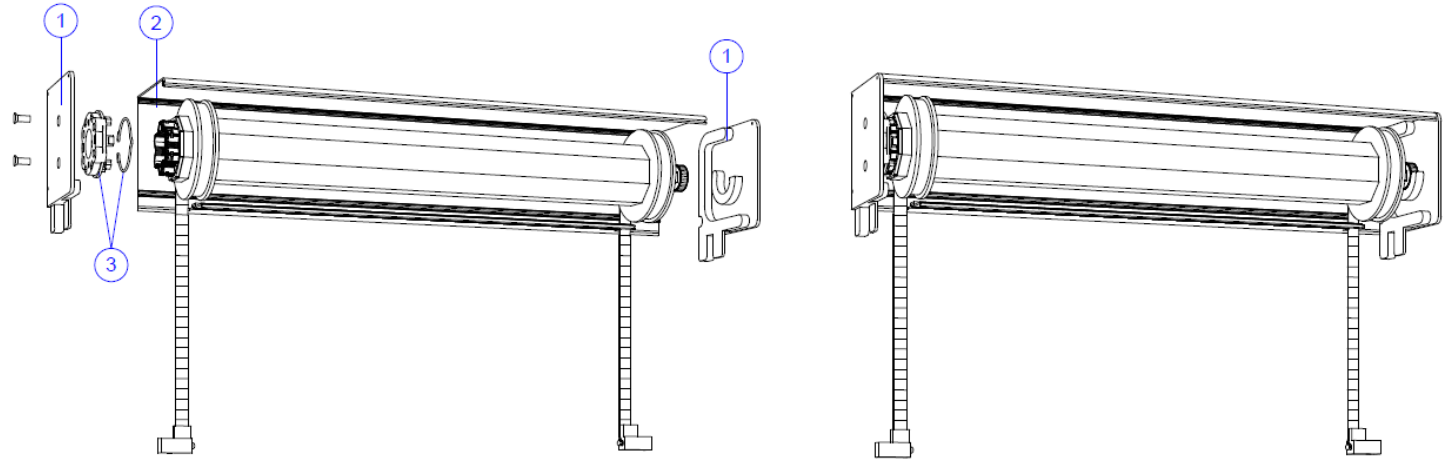
3-Panels Montage ;  
Profiles & accessories  
install to glass



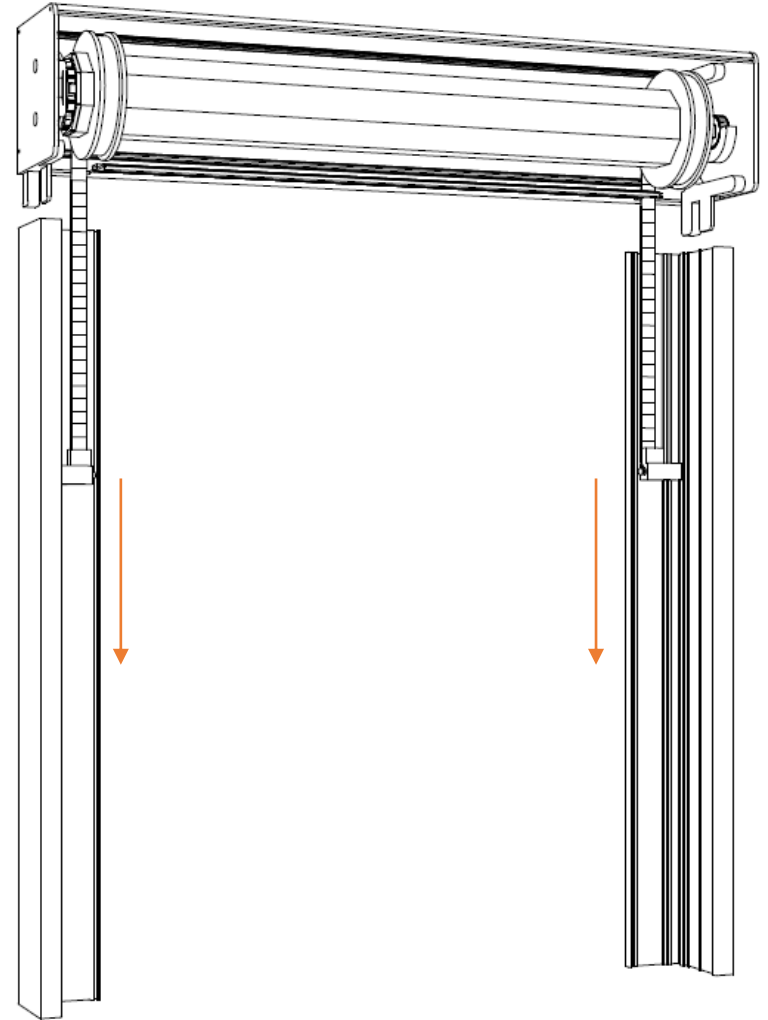
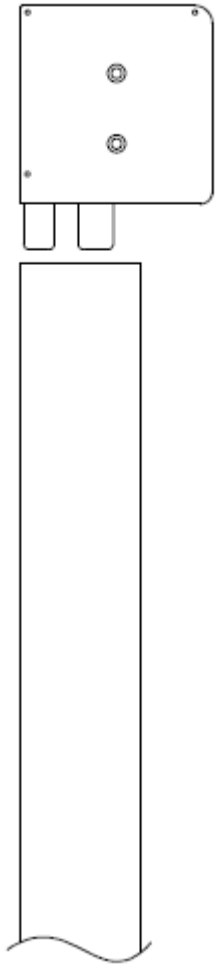
4-Panels Montage ;  
Profiles & accessories  
install to glass



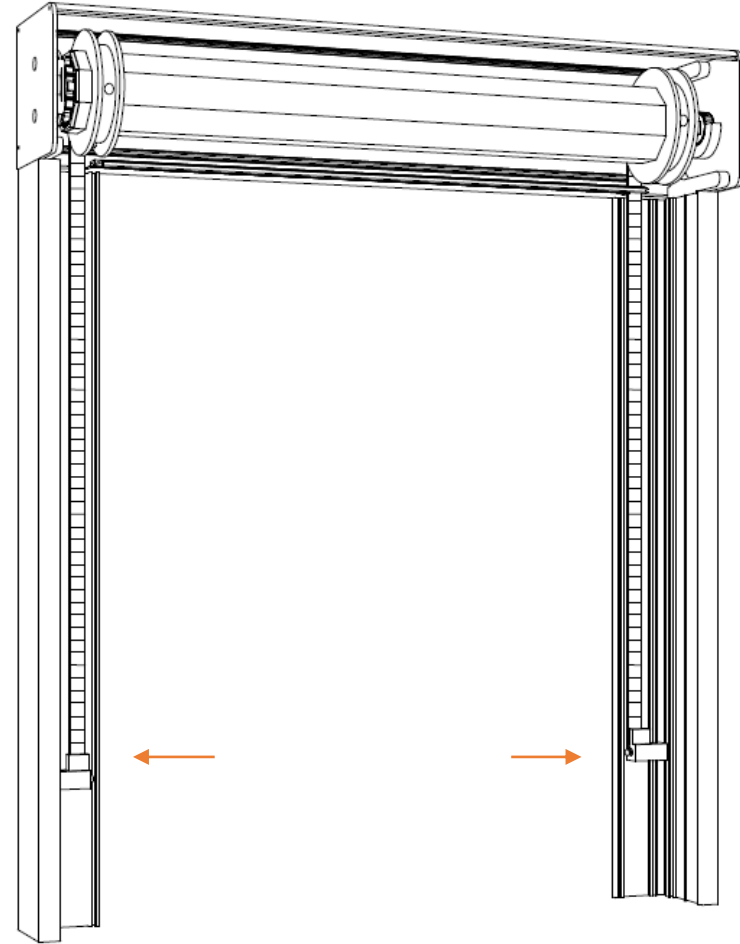
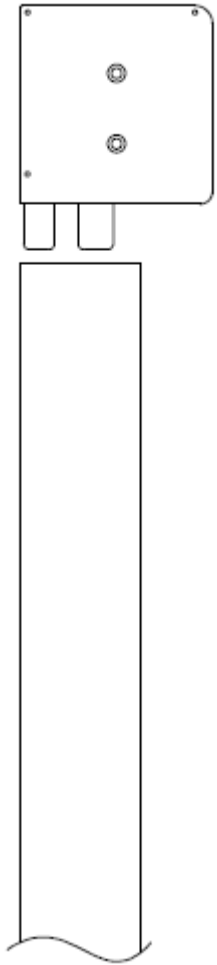
## 5-Motor Box Montage & Connection



6- Side Profile  
montage to Motor box

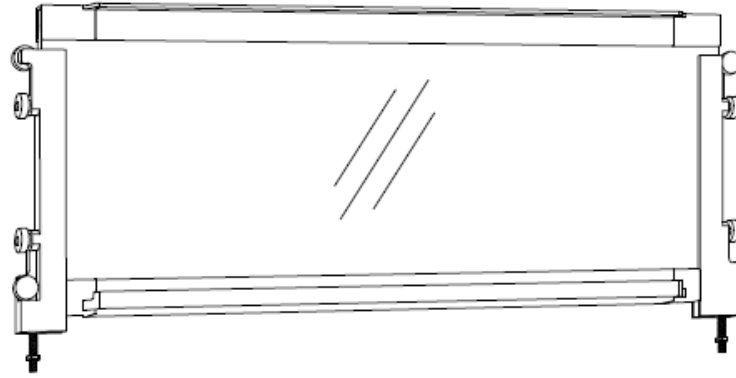


7- Side Profile  
montage to Motor box

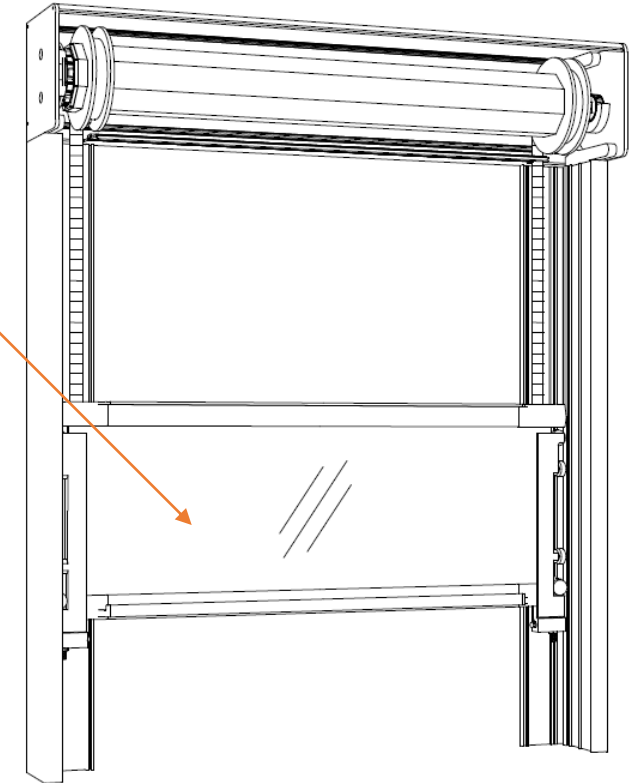




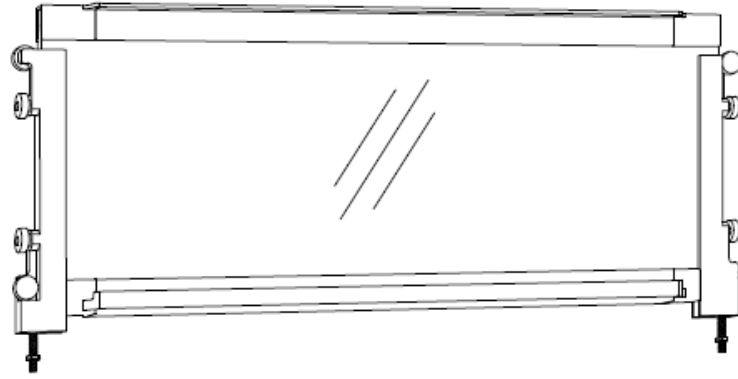
8- First Moveable  
Panel installation



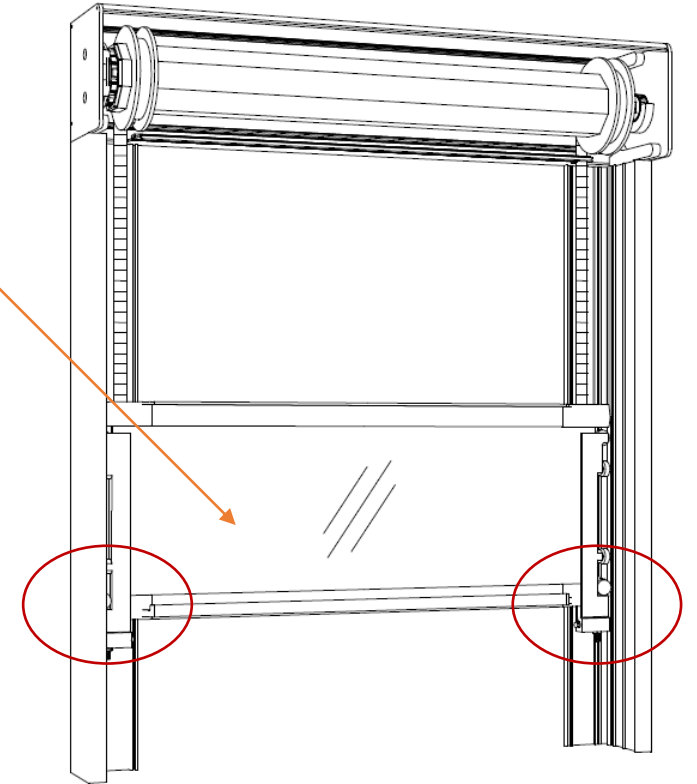
First Panel Installation to Frame



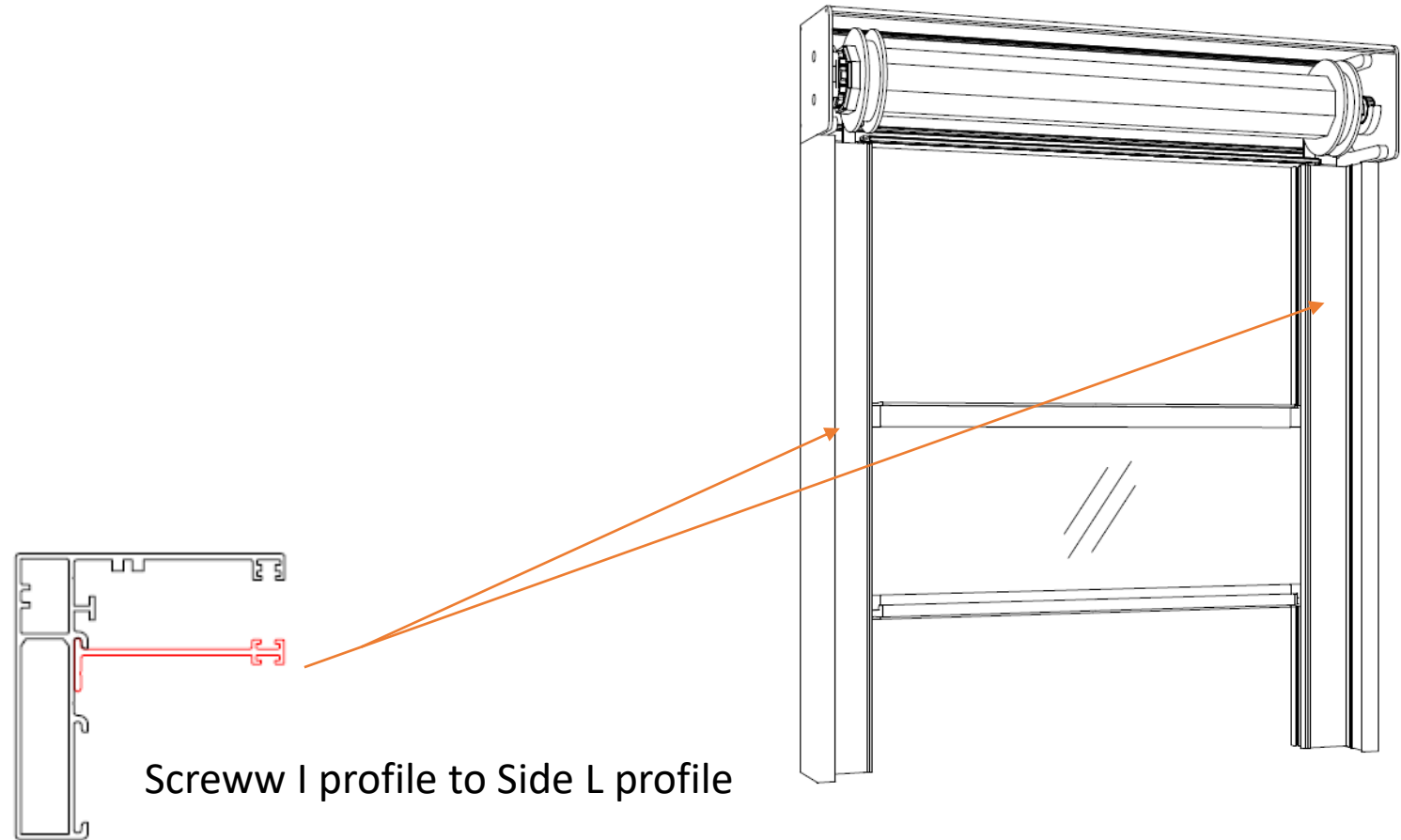
9- First Moveable  
Panel installation



First Panel Installation to Frame



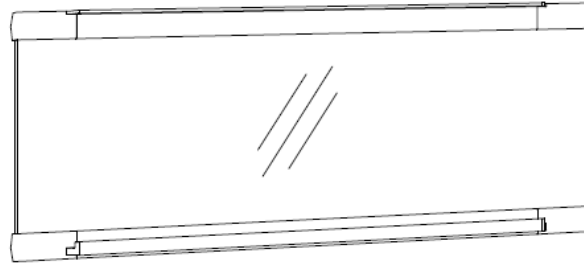
10- Panels installation  
to Frame



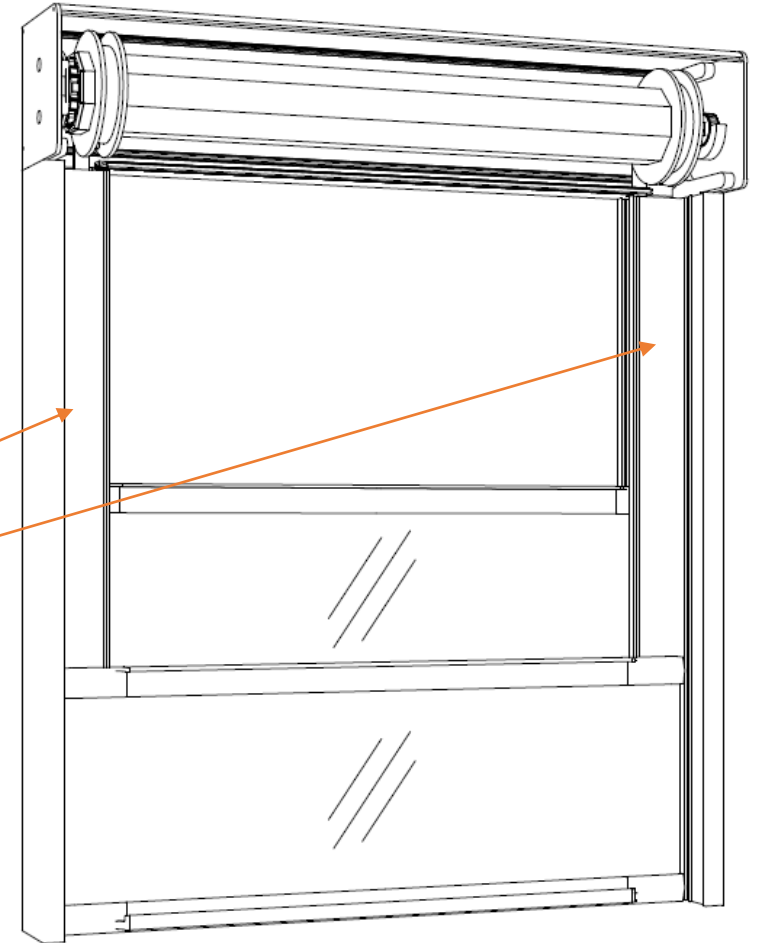
Screw I profile to Side L profile

11- Second Moveable  
Panel installation

Put second panel to second Rail place

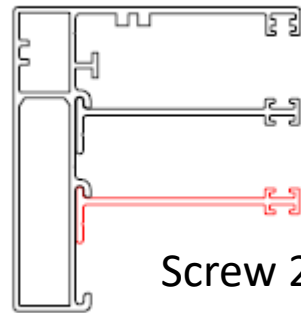
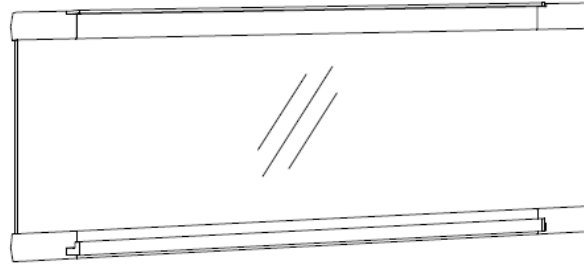


Screw 2nd "I" profile to Side L profile

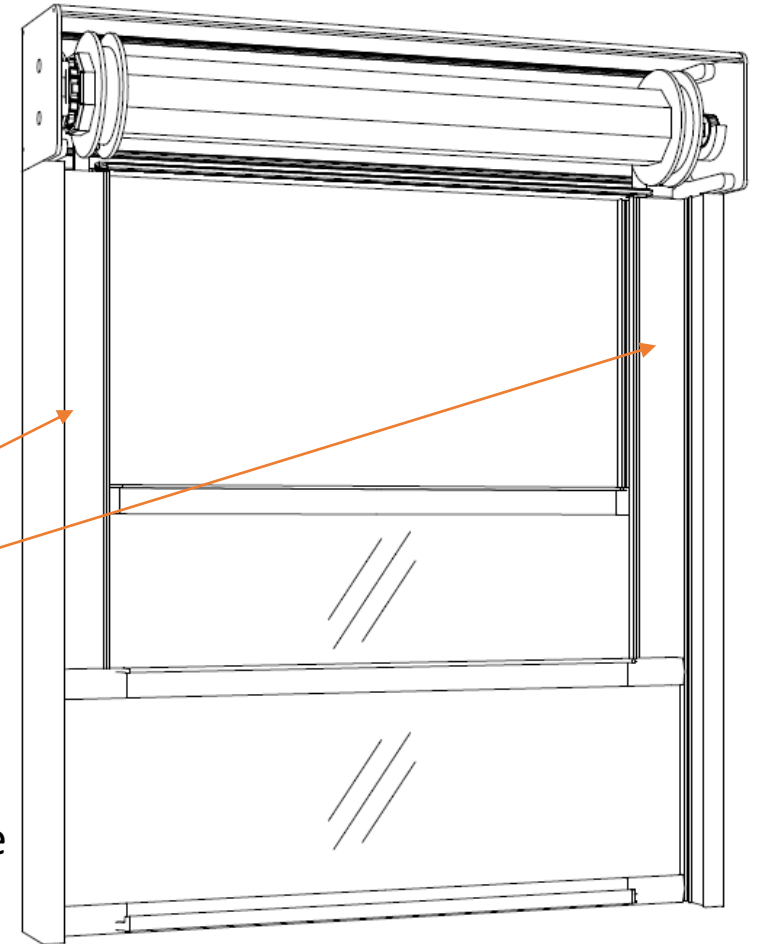


12- Second Moveable  
Panel installation

Put second panel to second Rail place

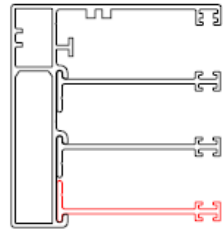
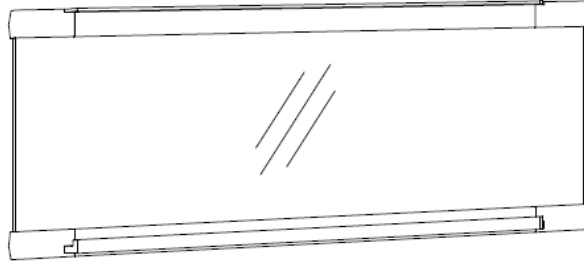


Screw 2nd "I" profile to Side L profile

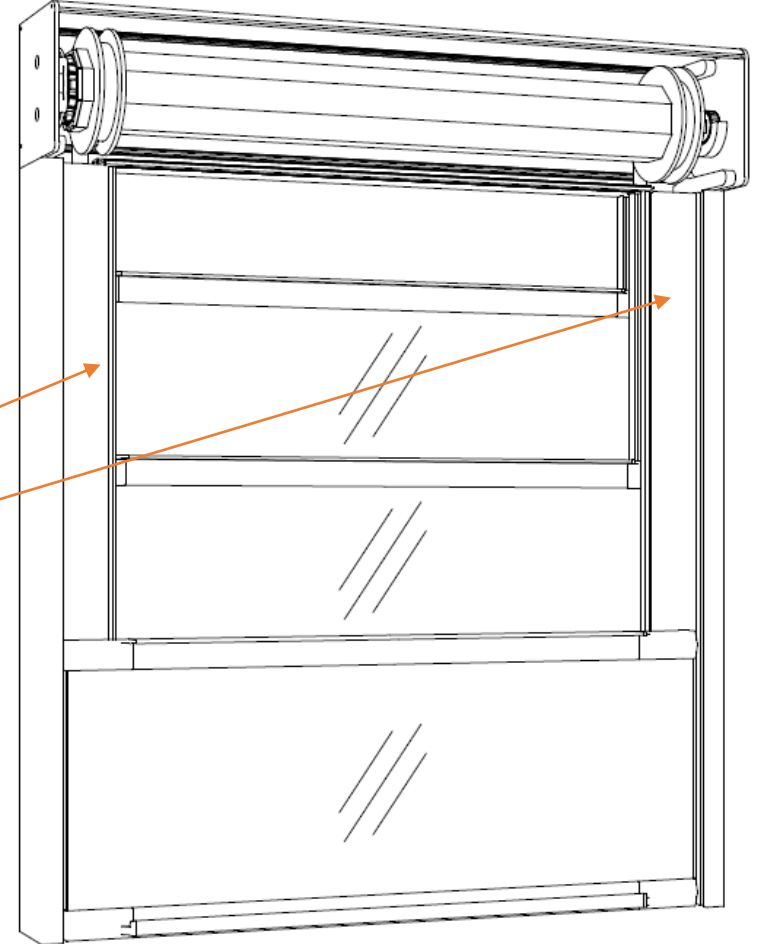


13- Fixed Panel  
installation

Put 3rd panel to 3rd Rail place



Screw 3rd "I" profile to Side L profile



14- Motor Cover  
Installation

