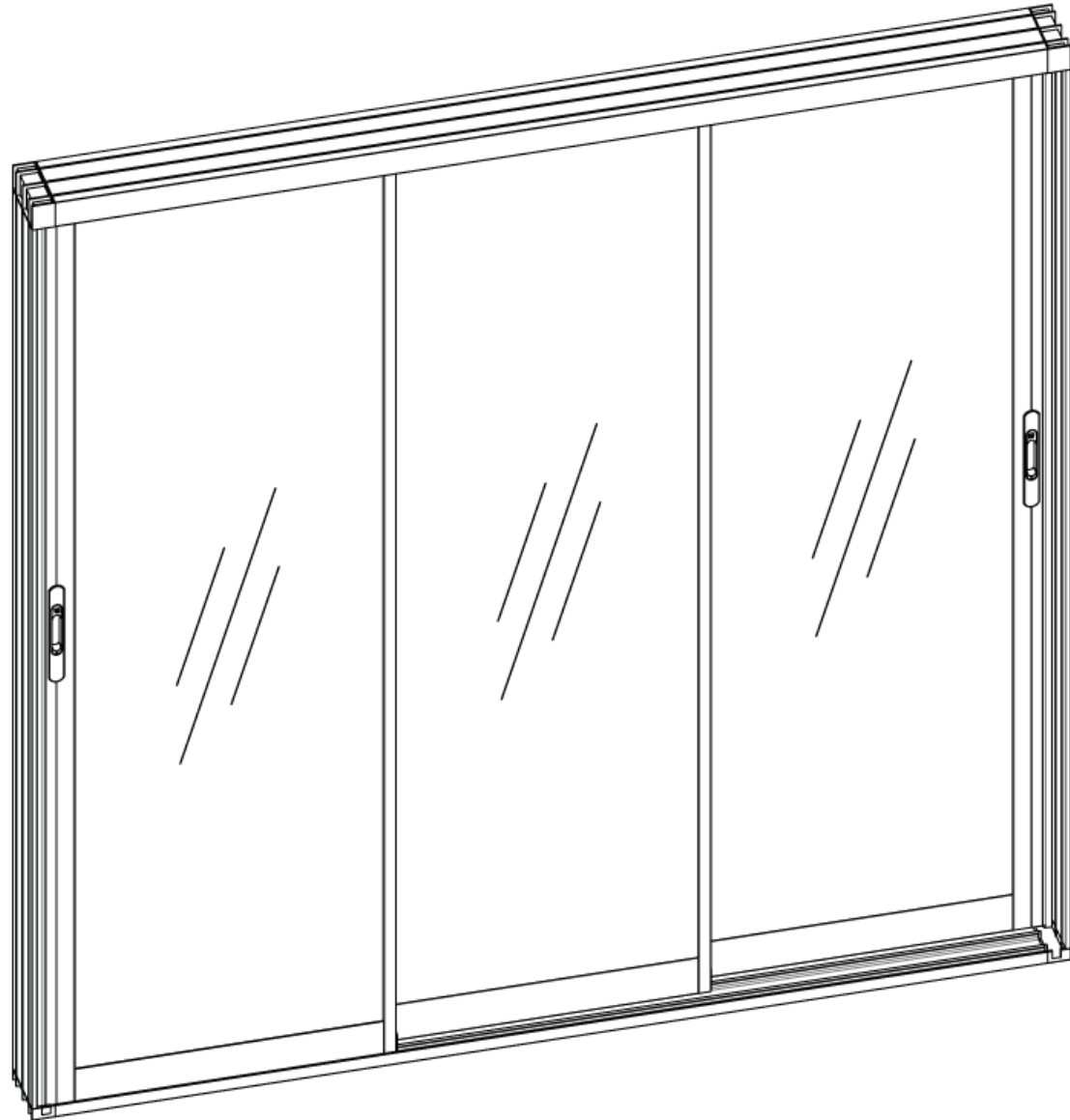




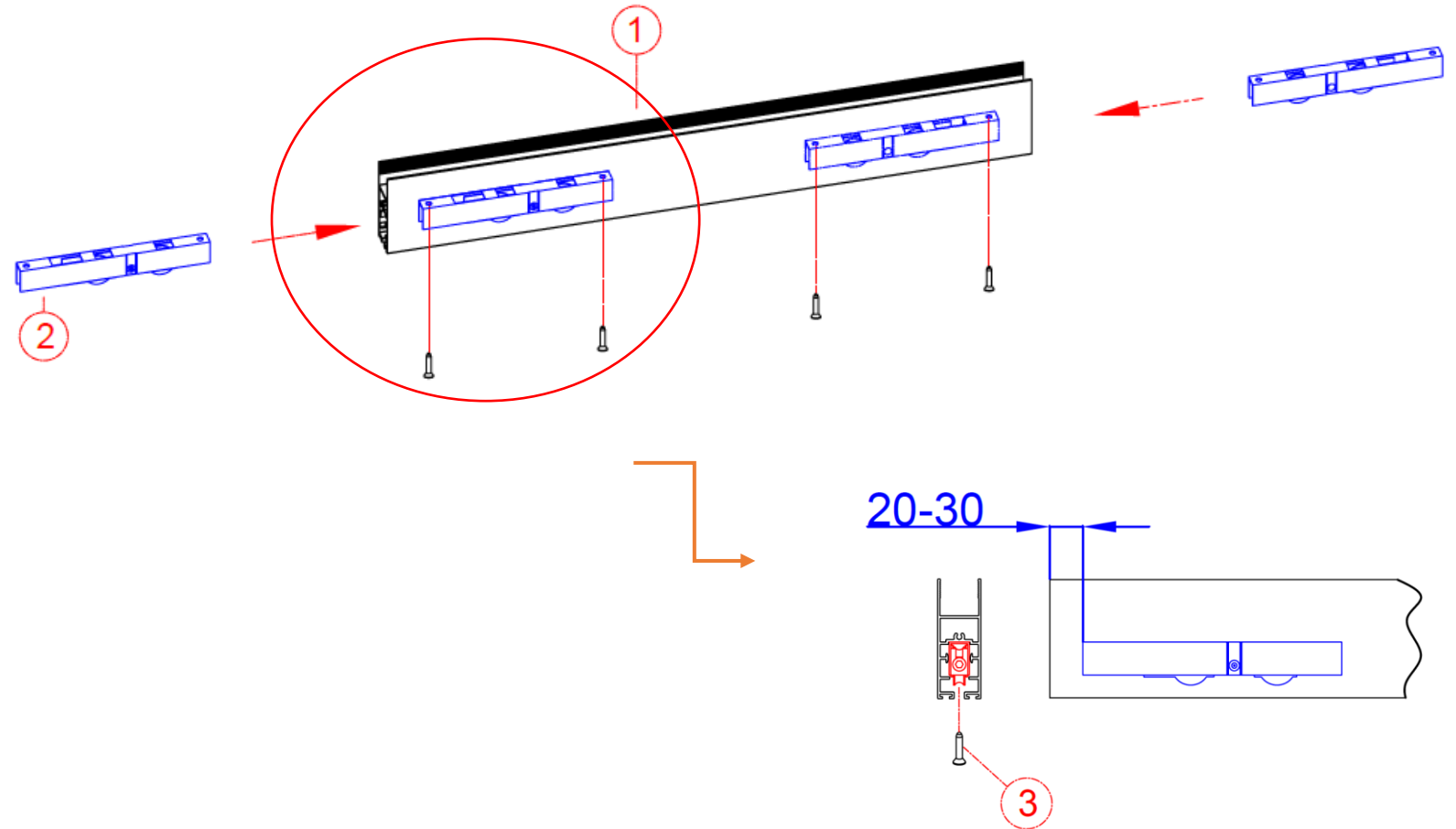
ICON-23

**ICCONIUM DOUBLE GLASS
SLIDING SYSTEM
INSTALLATION GUIDE**

1- System General View

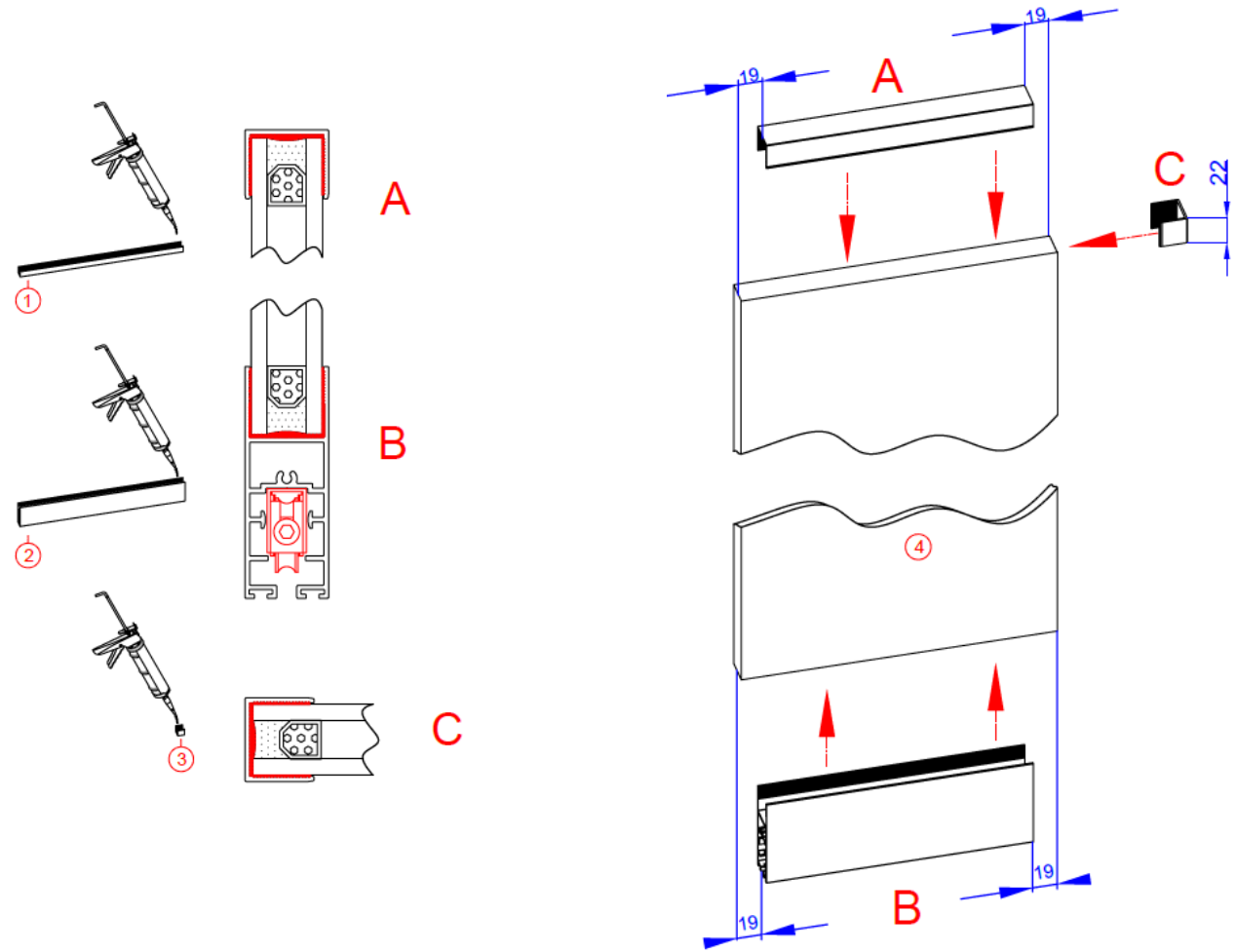


2- Wheels montage to Lower Glass profile

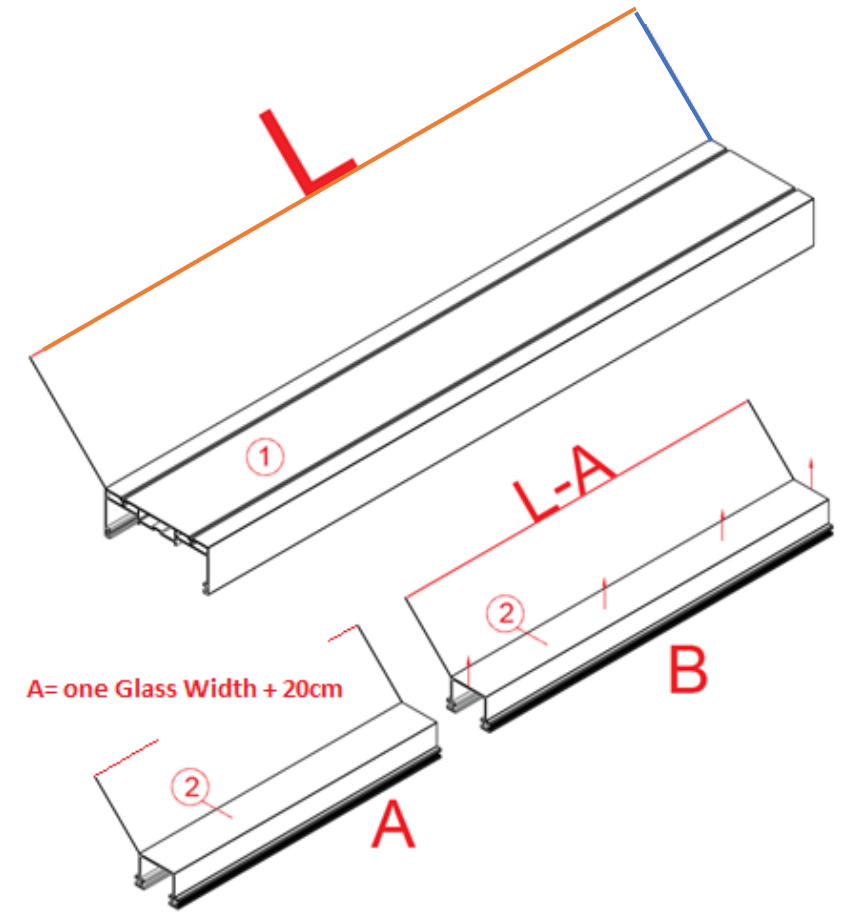
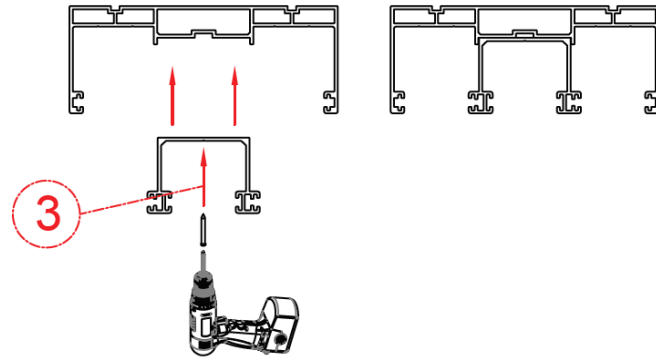


3-Panel profiles montage to glass

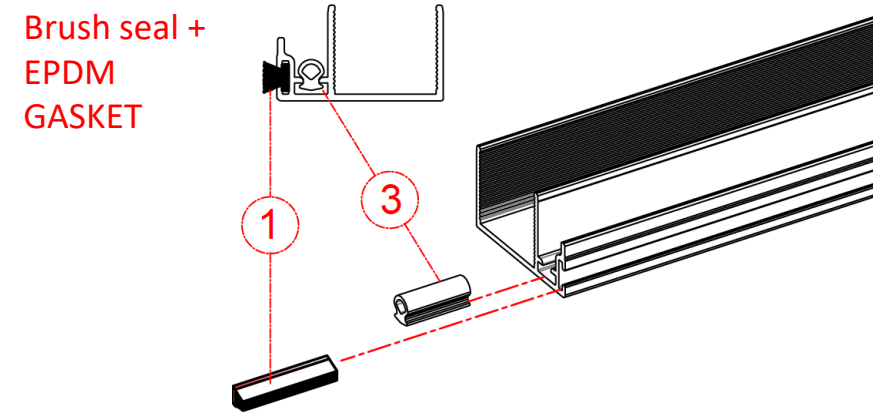
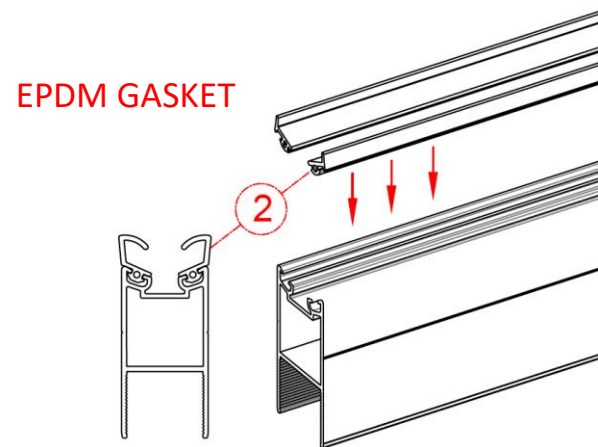
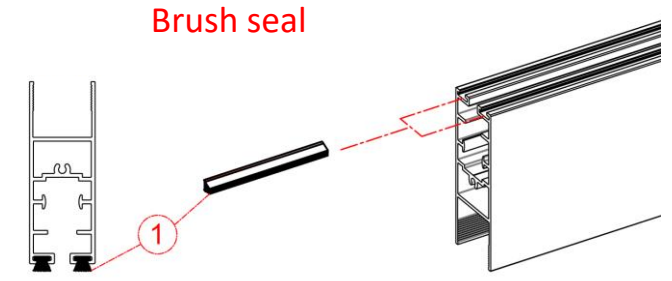
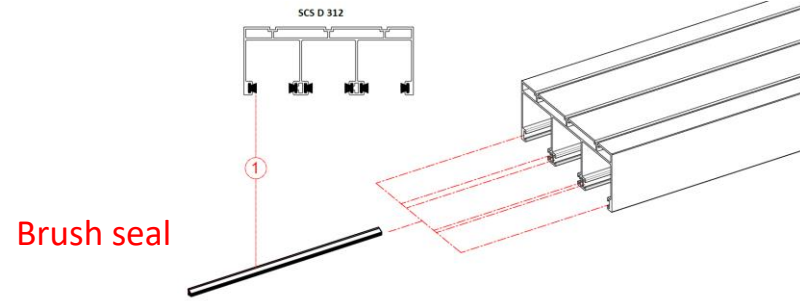
Panel Profiles montage to glass with polyurethane adhesive



4- Upper Rail preparations



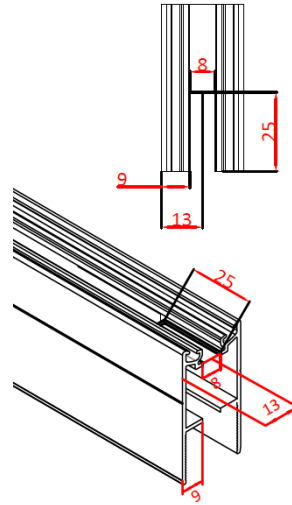
5-Brush Seal
&
EPDM gaskets
preparations



Panel Profiles holing Process

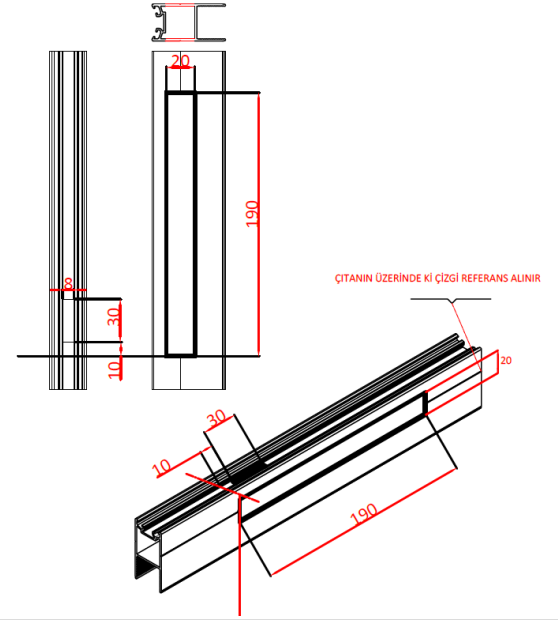
5-Brush Seal & EPDM gaskets preparations

Panel Profiles preparation

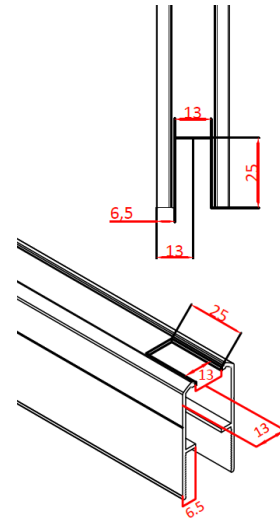


ICON-23 501 (handle with key) holing process applying both side (right and left)

ICON-23 502 (handle without key) holing process applying only one side(right OR left)

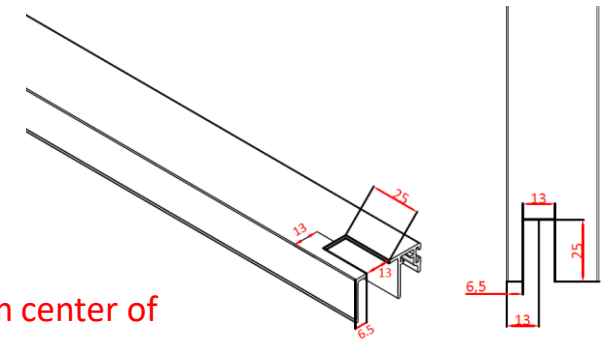


Holing process for wheels

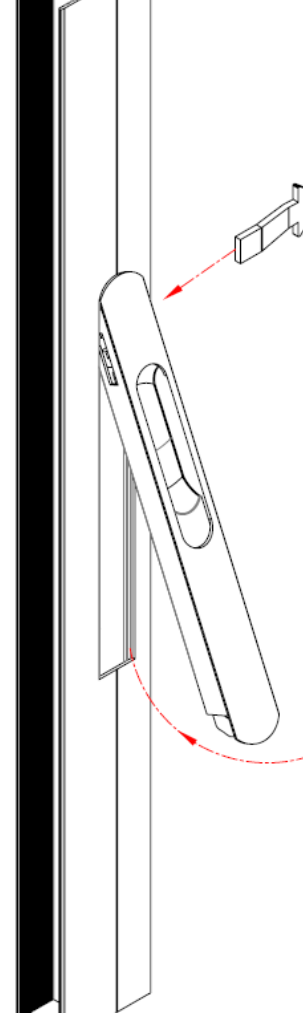


Side panel profiles holing process

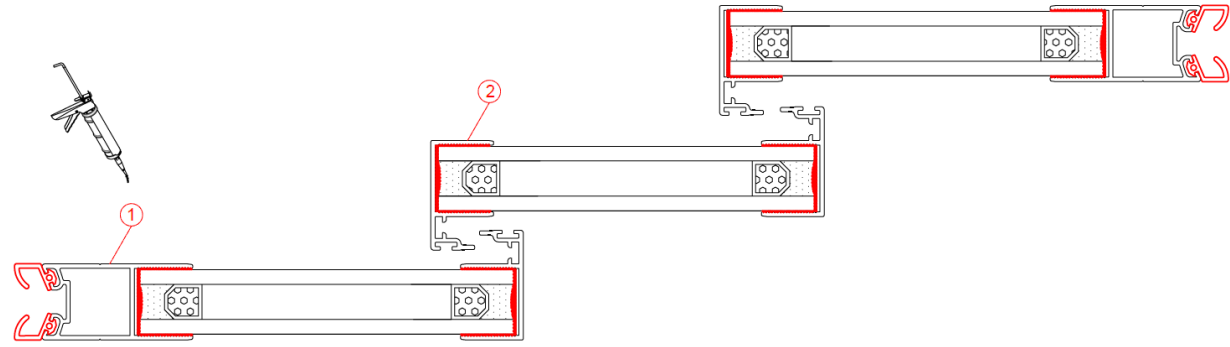
From center of profile



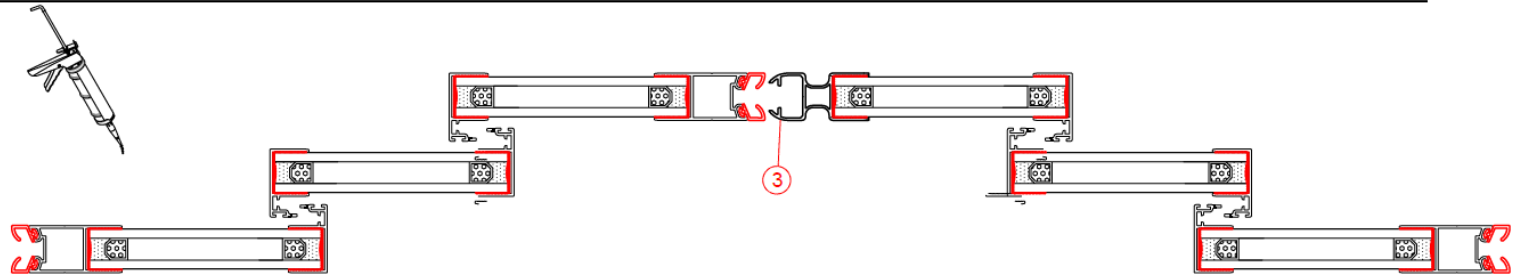
5-Handles Installation



6- Panels Combination

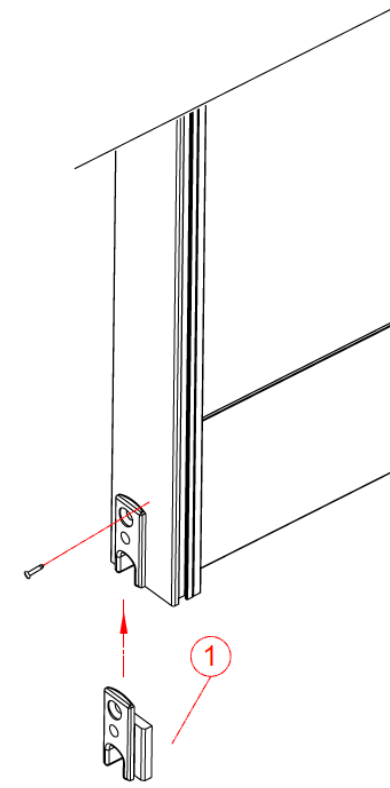
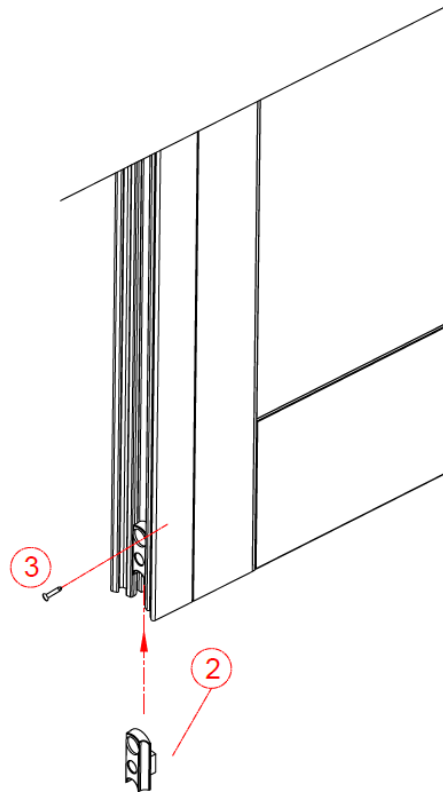


Standard

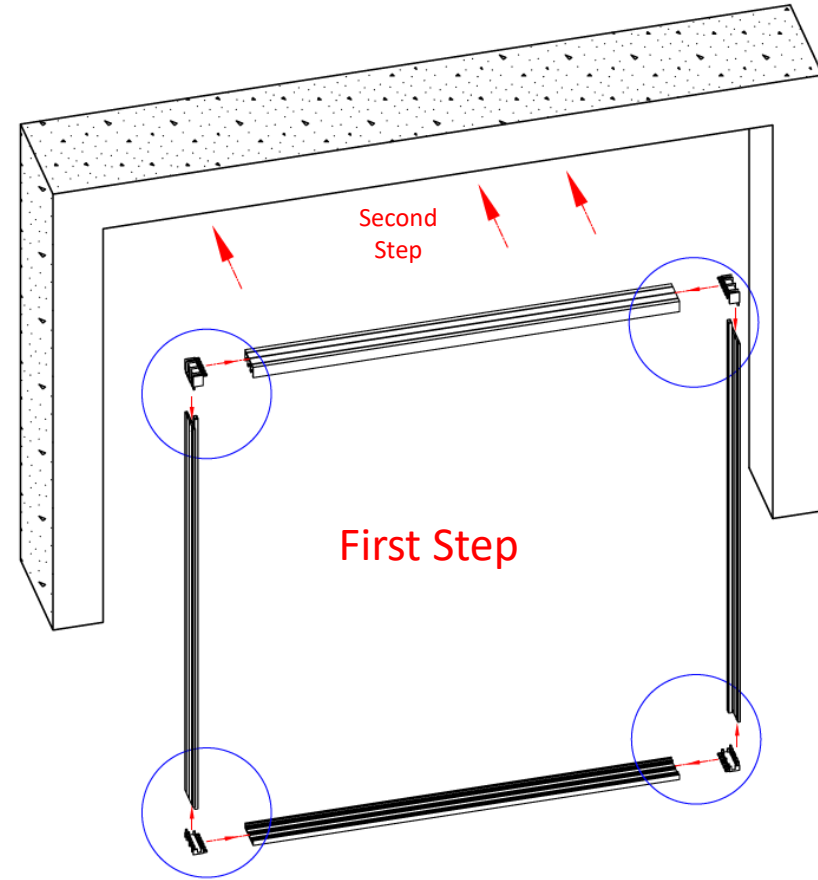
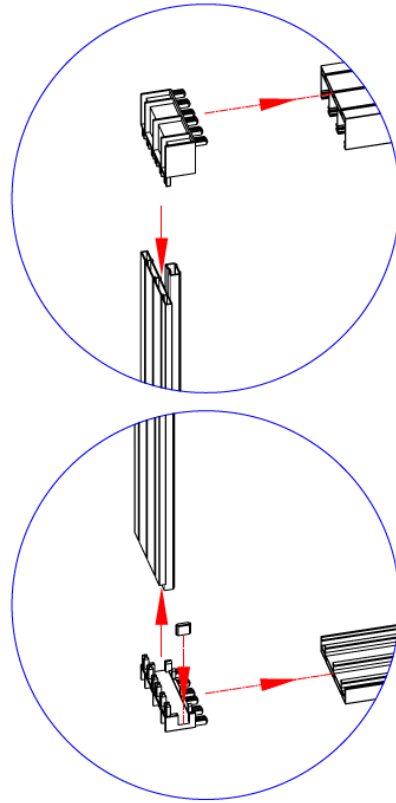


Center
opening
3+3 , 2+2

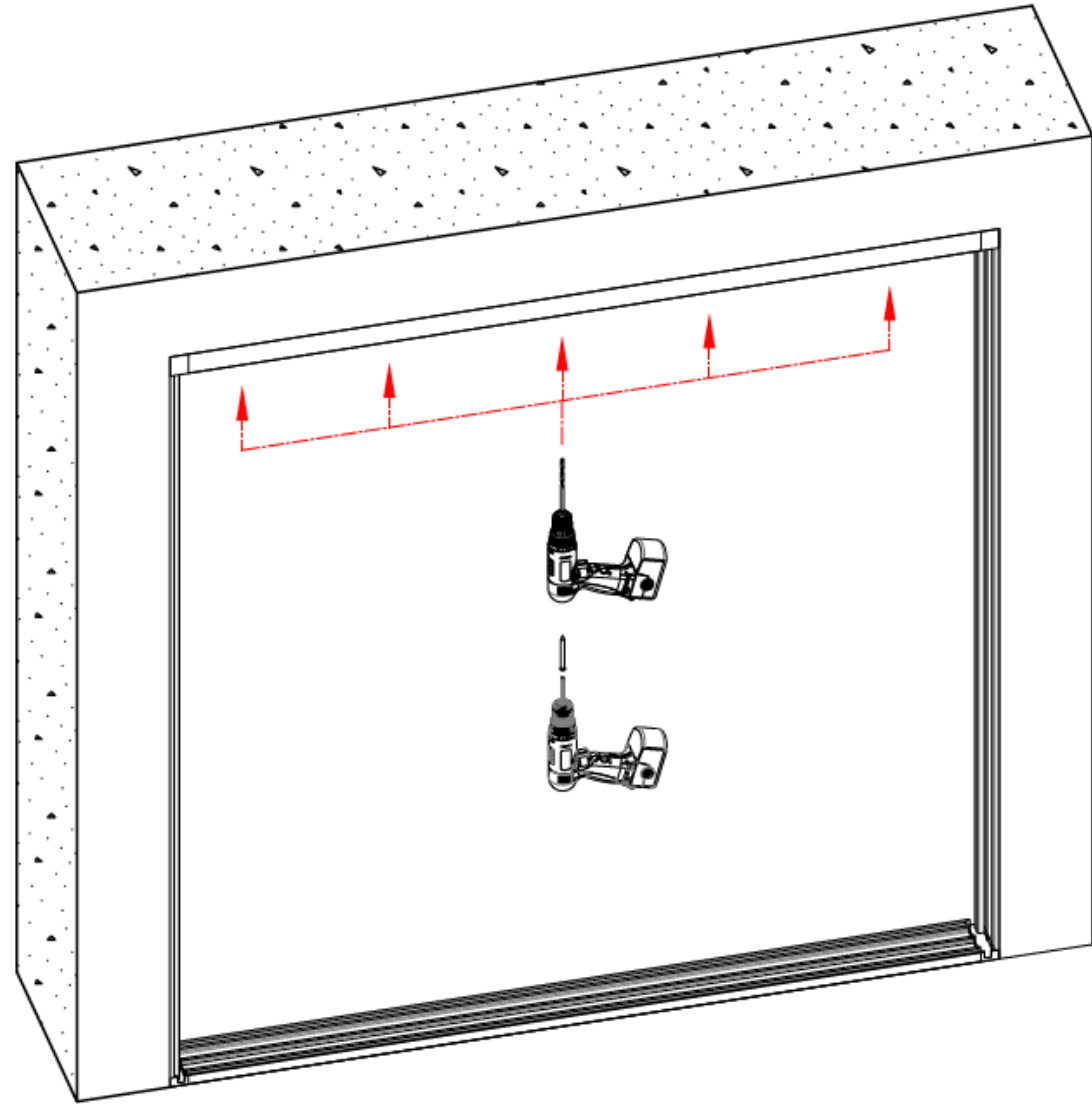
7- Panel side's profile cover installation



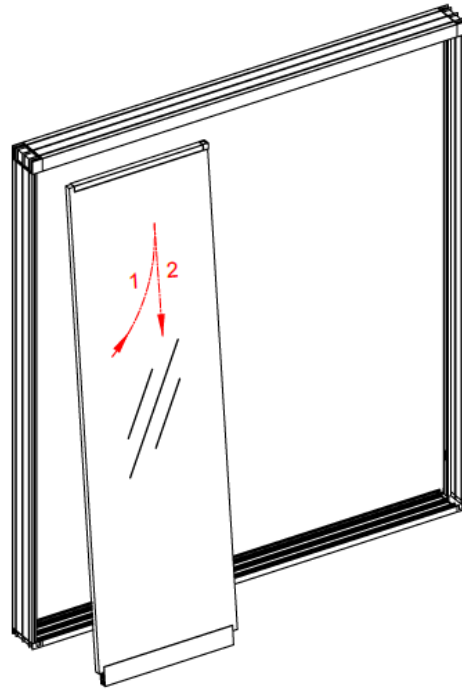
8- Frame Installation



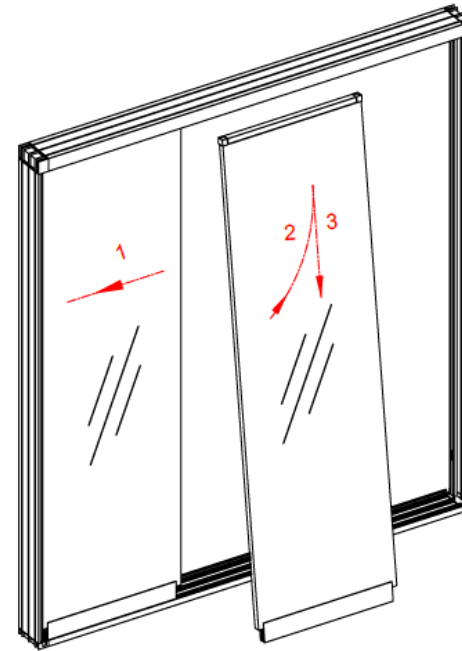
9- Upper Rail Montage
to wall



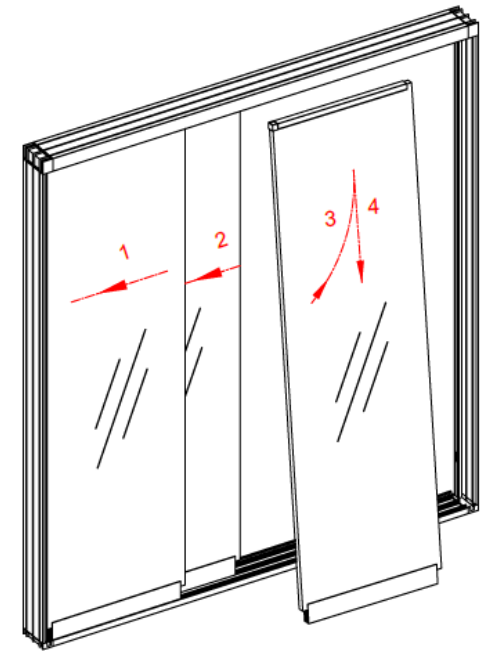
10- Panels installation
to Frame



First panel

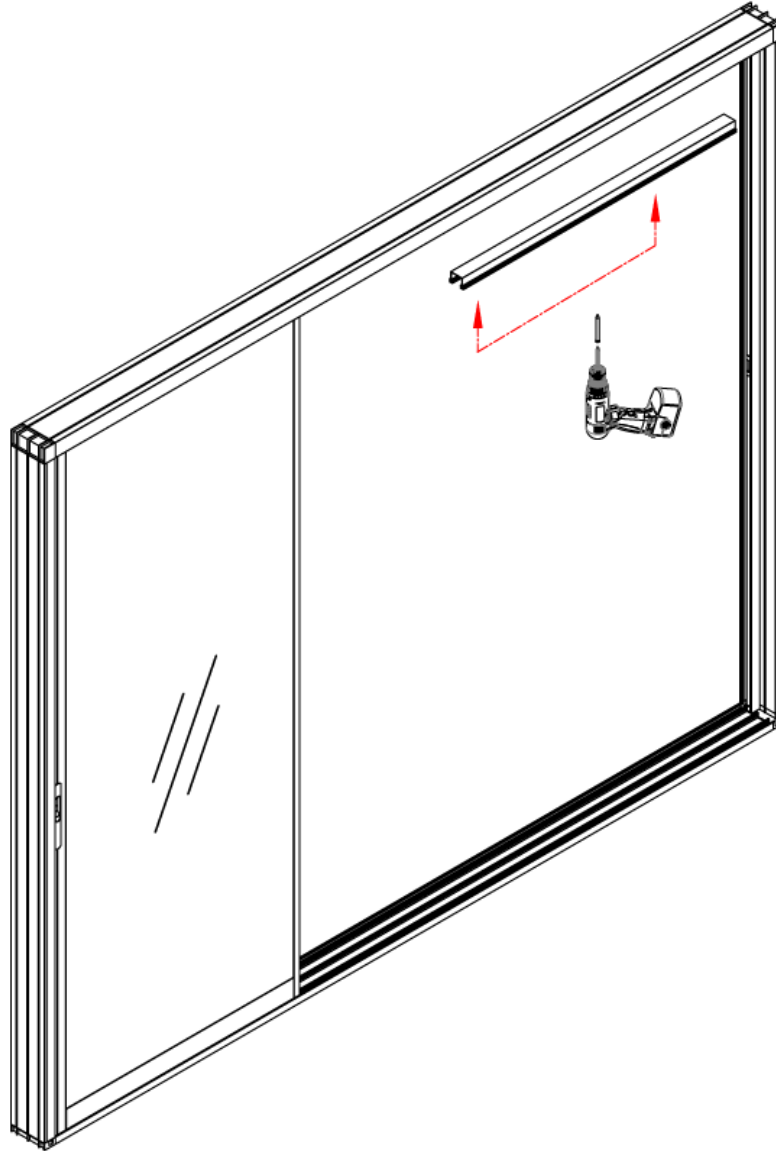


Second panel



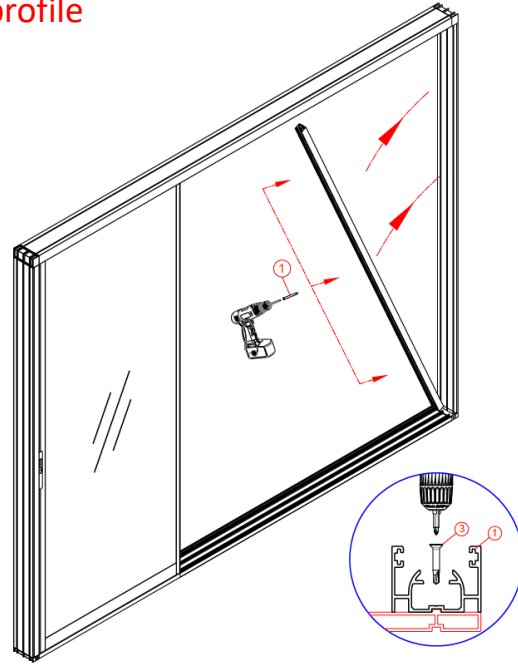
Third panel

10- Adjustable U
profil installation to
Frame

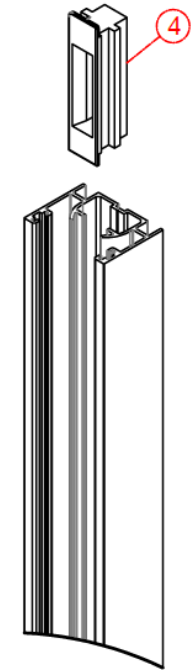


Final U (set Profile)
montage to upper Rail

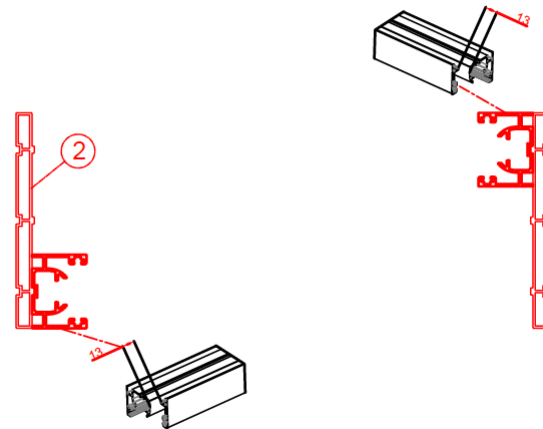
Side Lock profile
montage



Lock Plate
montage



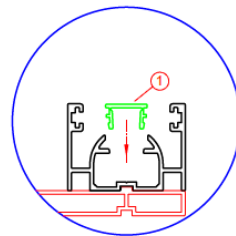
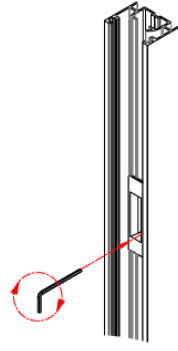
10- Sides Lock Profile
installation



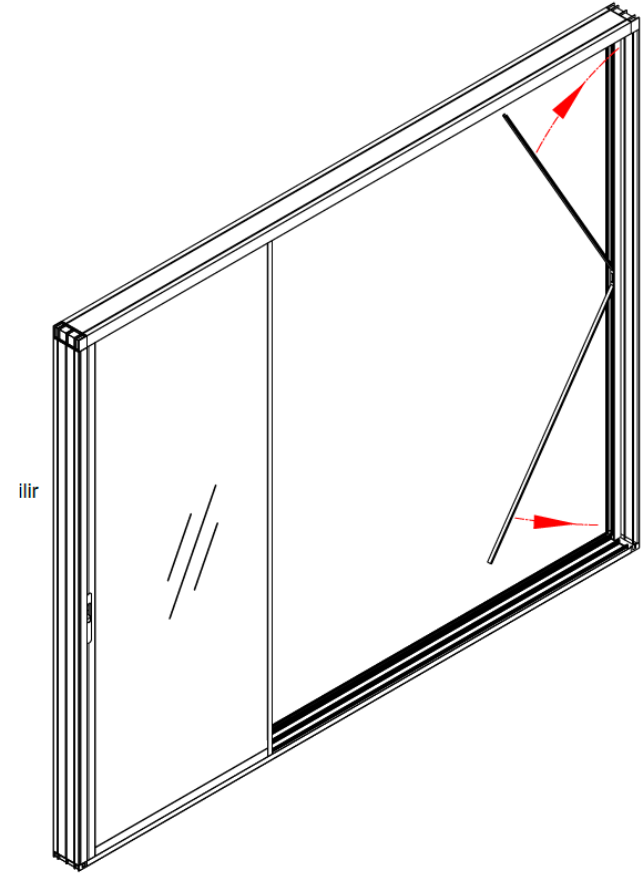
Side Lock profile
montage position

10- Lock profiles' cover with profile

Screw final lock plate position

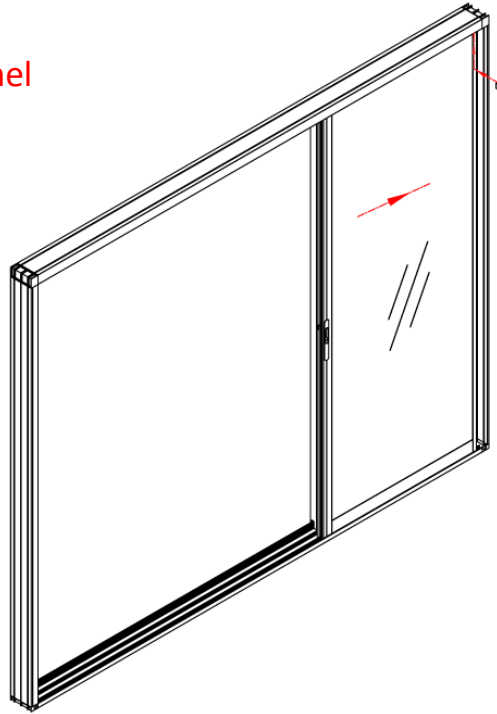


Sides Lock
Profile's cover
montage

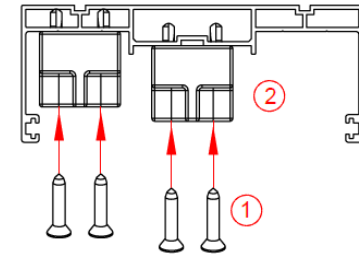


10- STOPPER INSTALLATION

1- Park all panel
to one side



2- Screw Stoppers to upper
rail channel



3- Final opened
panels view

