



GUIDE FOR INSTALLATION

Single Glass High Sliding System

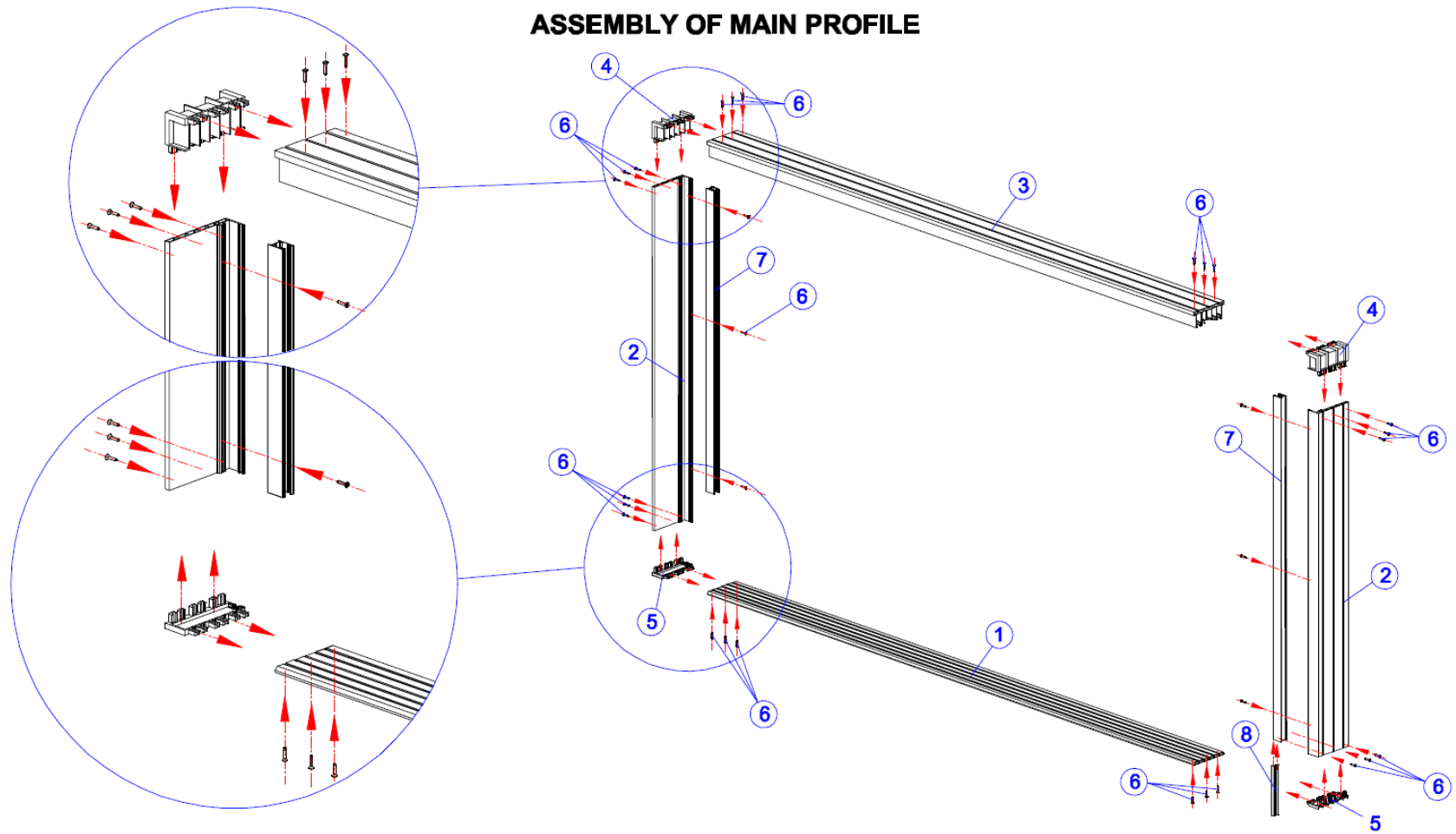
ICON-22

ICON-21 CONTENTS

CONTENTS :

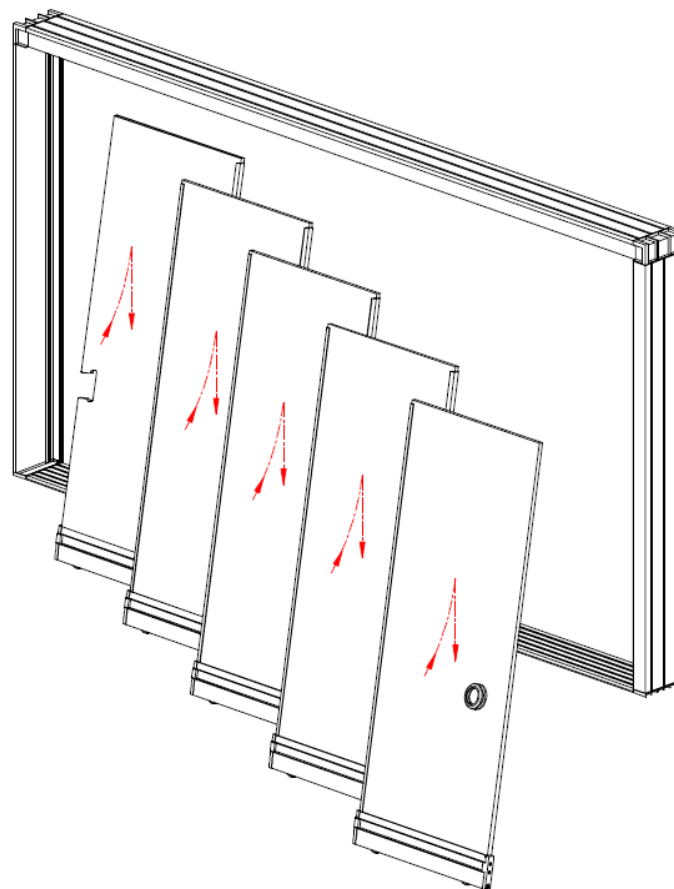
ASSEMBLY OF THE PANEL	2
ASSEMBLY OF MAIN PROFILE	3
INSTALLATION OF THE PANELS ON THE SYSTEM	4
INSTALLATION OF THE LOCK TO THE SYSTEM	5
CLOSED MODE OF THE SYSTEM	6
OPENED MODE OF THE SYSTEM	7

ASSEMBLY OF MAIN PROFILE



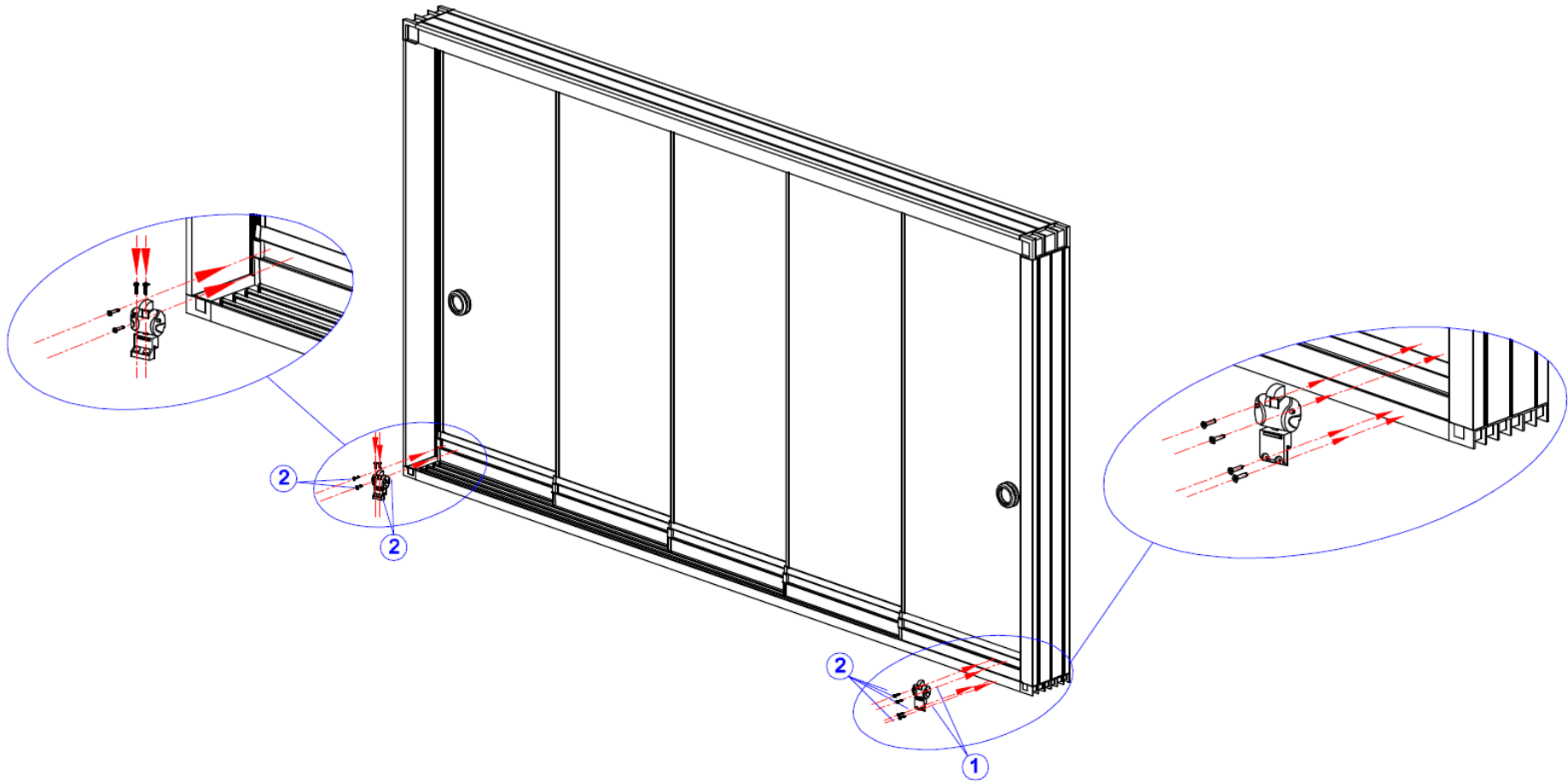
You will receive pre-cutted profiles and accessories .The frame gets final shape in this process

INSTALLATION OF THE PANELS ON THE SYSTEM

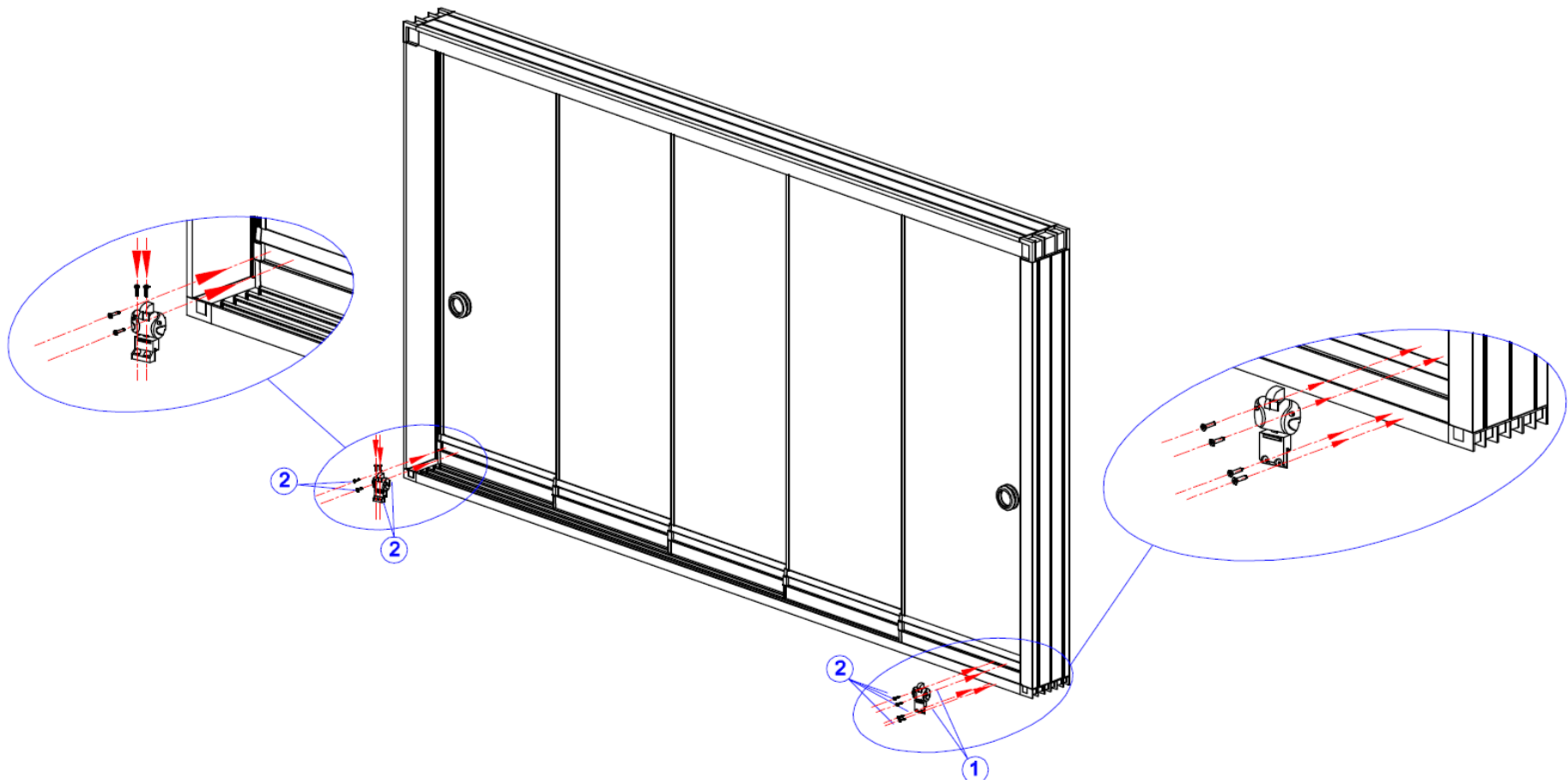


The panels are put on the each others as to be a panel to each rail by starting from left outer side. Then it is fitted to profile which is created firstly upside.

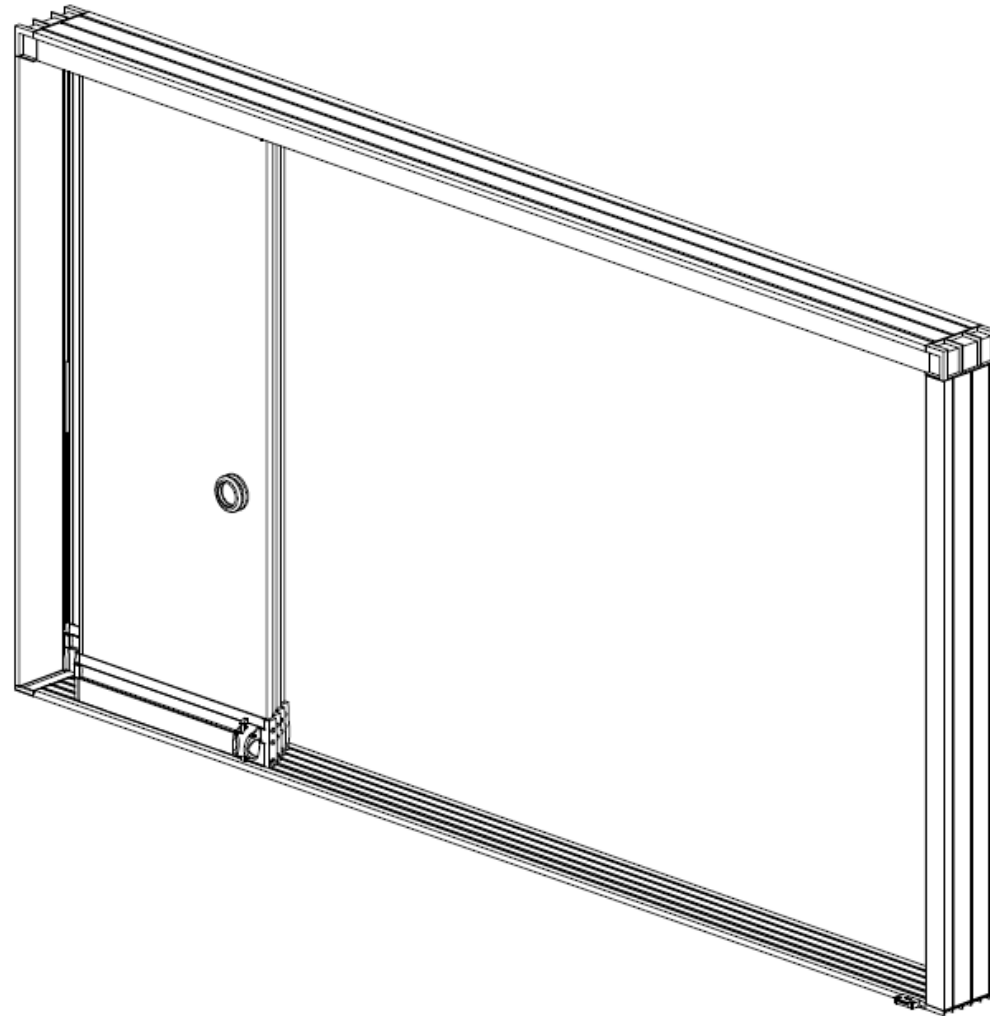
INSTALLATION OF THE LOCK TO SYSTEM



The locks are fixed by screw to the right or/and left and inside of the system as seen on Picture. The outside lock and slot are also fixed on glass as seen in Picture



OPENED MODE OF THE SYSTEM



CLOSED MODE OF THE SYSTEM

