



## GUIDE FOR INSTALLATION

Single Glass Low Sliding System

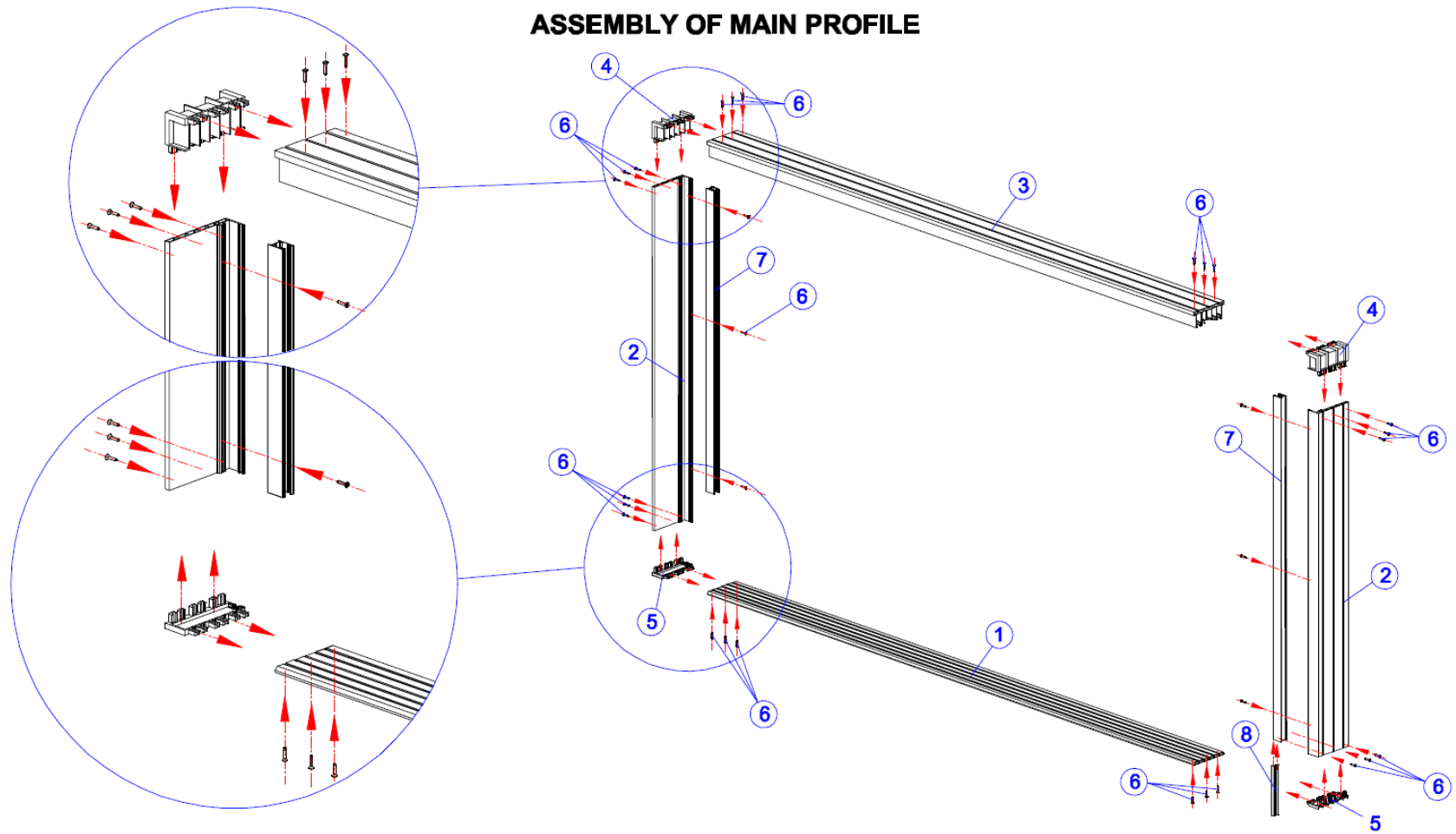
**ICON-21**

# **SLIDING SYSTEM INSTALLATION INSTRUCTIONS SCS - L**

## **CONTENTS :**

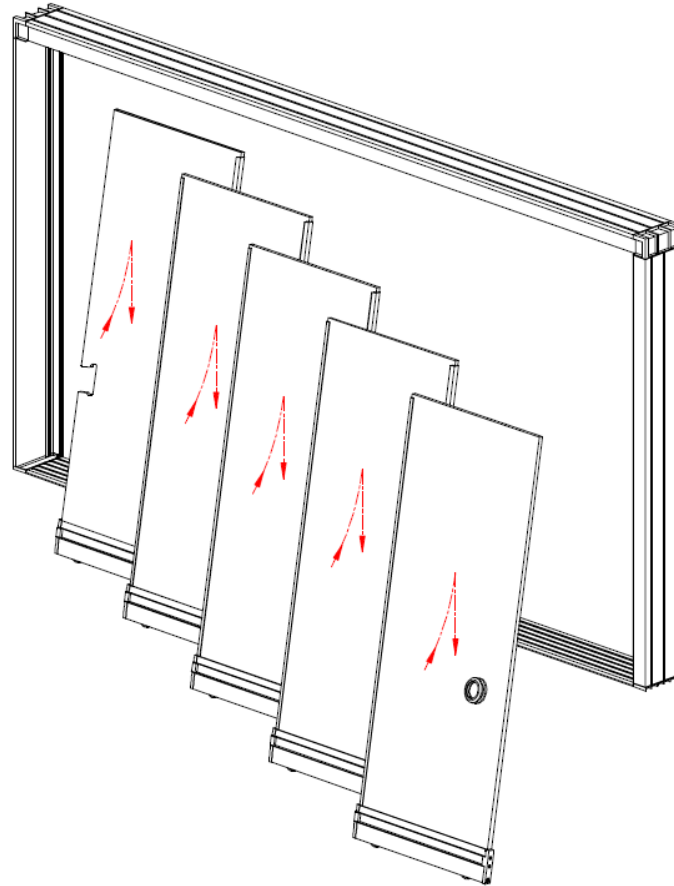
<b>ASSEMBLY OF THE PANEL</b>	<b>2</b>
<b>ASSEMBLY OF MAIN PROFILE</b>	<b>3</b>
<b>INSTALLATION OF THE PANELS ON THE SYSTEM</b>	<b>4</b>
<b>INSTALLATION OF THE LOCK TO THE SYSTEM</b>	<b>5</b>
<b>CLOSED MODE OF THE SYSTEM</b>	<b>6</b>
<b>OPENED MODE OF THE SYSTEM</b>	<b>7</b>

## ASSEMBLY OF MAIN PROFILE



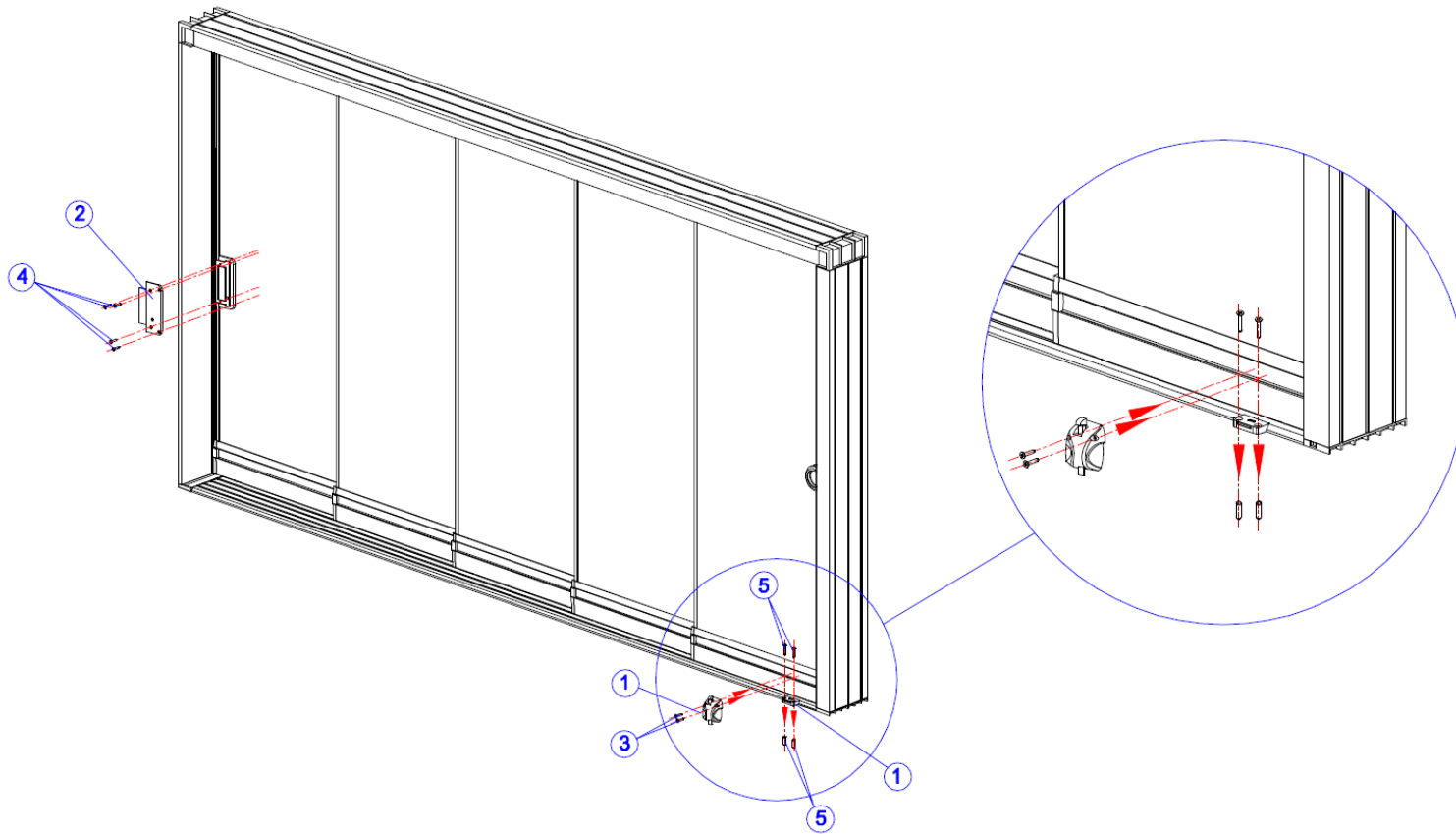
You will receive pre-cutted profiles and accessories .The frame gets final shape in this process

## INSTALLATION OF THE PANELS ON THE SYSTEM



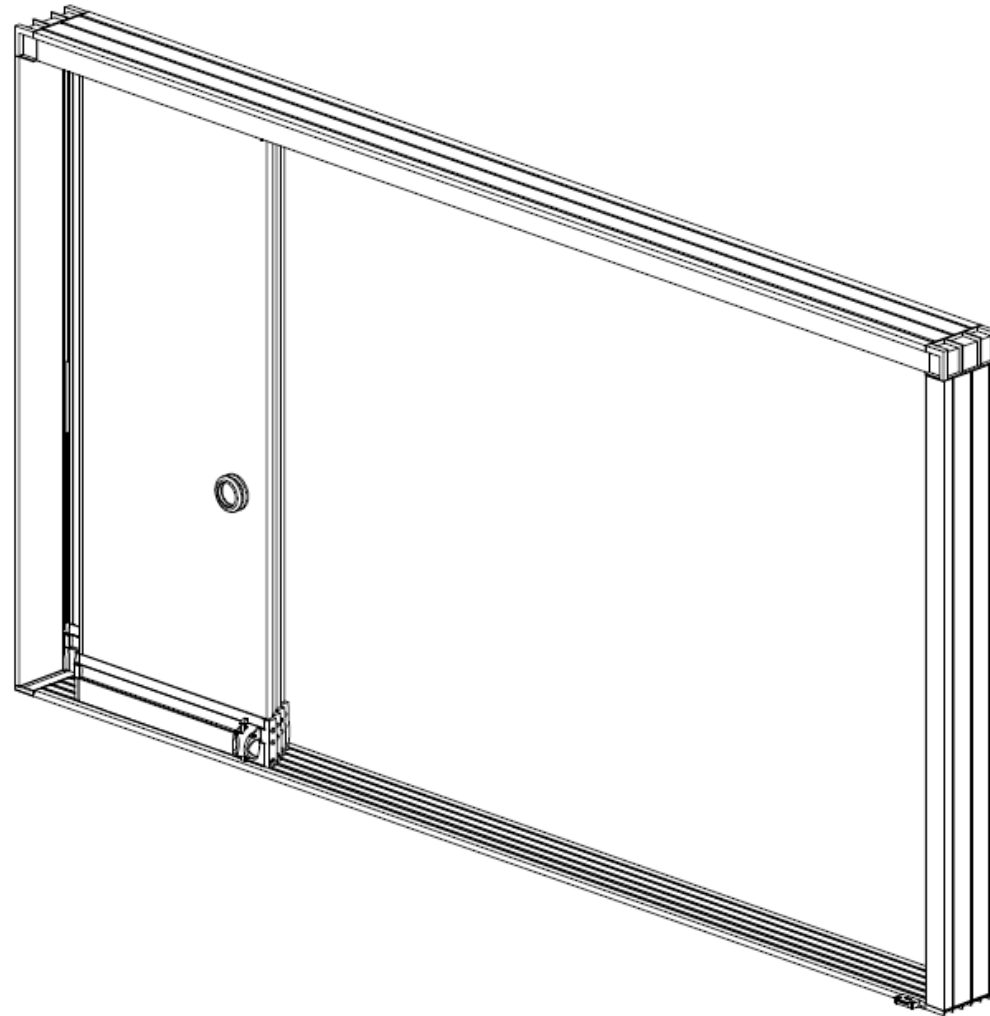
The panels are put on the each others as to be a panel to each rail by starting from left outer side. Then it is fitted to profile which is created firstly upside.

## INSTALLATION OF THE LOCK TO SYSTEM



The locks are fixed by screw to the right or/and left and inside of the system as seen on Picture. The outside lock and slot are also fixed on glass as seen in Picture

OPENED MODE OF THE SYSTEM



**CLOSED MODE OF THE SYSTEM**

